

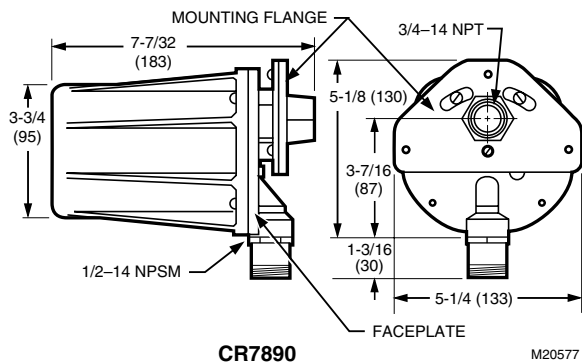
CR7890 Integrated Burner Control



The CR7890B Integrated Burner Control consists of a self contained relay module, amplifier and a shutter type solid state Ultraviolet Detector for sensing the ultraviolet radiation generated by the combustion of gas, oil, or other fuels.

- Oscillating shutter interrupts ultraviolet radiation reaching the UV sensor to provide the UV sensor checking function. Amplifier circuitry components are checked from the microprocessor in the CR7890B Control.
- Device can be mounted horizontally, vertically or at any other angle. The device has faceplate alignment and integral locating reference points to assure proper shutter mechanism operation.
- Quartz viewing window is field replaceable.
- CR7890B1019 uses Brad Harrison® 3R9006A20A120 connector.
- A swivel mount is available to facilitate flame sighting.
- -40°F (-40°C) rated ultraviolet sensing tube.
- High pressure 50 psi (345 kPa) quartz viewing window, magnifying lens and antivibration mount are available as accessories.
- Housing meets NEMA 4 enclosure standards. (NEMA 1 when access cover is used.)
- Protective heat block built into mounting flange.
- Power LED blinks a fault code when device is in ALARM state.
- Optional Keyboard Display Module (KDM)

Dimension Diagrams



Dimensions, Approximate: 5 1/4 in. wide, 5 1/8 in. high, 7 7/32 in. deep (133 mm wide, 130 mm high, 183 mm deep)

Ambient Temperature Rating: -40 F to 140 F (-40 C to 60 C)

Vibration: 1.0 G environment

Weight (lb): 3.78 lb (1.71 kg)

Approvals:

Canadian Standards Association: Certified

Control Safety Devices: Acceptable: CSD-1.

Factory Mutual: Approved: Report No. J.I.1V9AO.AF.

FCC Emissions: FCC Part 15, Class B, Emissions.

Industrial Risk Insurers: IRI Acceptable.

Underwriters Laboratories, Inc: Listed: File No. MP268, Guide No. MCCZ.

Accessories:

32005580-001 Cable for connecting Keyboard Display Module (KDM) to CR7890

32006648-001 Nema I Cover for CR7890B

32007181-001 Wiring Harness with 9-pin Brad Harrison® to CR7890

Product Number	Electrical Ratings, Power Supply (Vac)	Electrical Ratings, Power Supply (Hz)	Flame Establishing Period		Pilot Type	Description
			Main	Pilot		
CR7890B1019	120 Vac (+10/-15%)	50/60 Hz (±10%)	10 sec	10 sec	intermittent	Integrated Burner Control w/Brad Harrison connector