

## Water Feeders – Mechanical

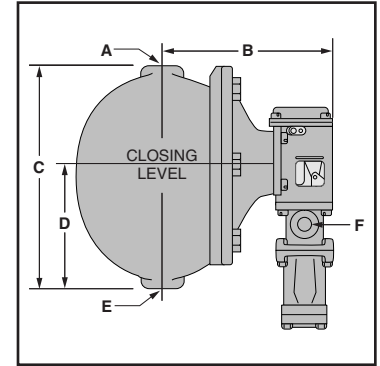
### Series 53/53-2

#### Mechanical Water Feeders/Low Water Cut-Offs

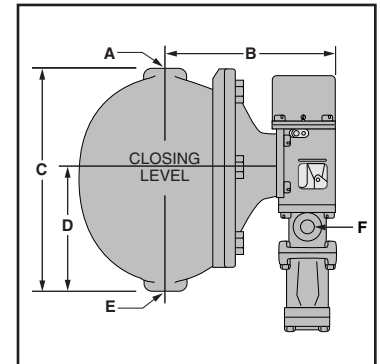
- For low pressure steam and hot water boilers larger than 5,000 sq. ft. (465m<sup>2</sup>) with hot or cold water feed
- Optional features
  - No. 2 switch
  - Manual reset
  - Float block
- Proportional feed action
- Model 53 can be field upgraded with a No. 2 switch to add low water cut-off function
- Maximum water supply pressure 150 psi (10.5 kg/cm<sup>2</sup>)
- Maximum inlet water temperature 120°F (49°C)
- Maximum vessel pressure 75 psi (5.3 kg/cm<sup>2</sup>)



**Series 53**



**Series 53-2**



### Electrical Ratings

Voltage	Motor Switch Rating (Amperes)		Pilot Duty
	Full Load	Locked Rotor	
120 VAC	10.2	61.2	125 VA at 120 or 240 VAC 60 Hz
240 VAC	5.1	30.6	

### Dimensions, in. (mm)

A	B	C	D	E	F
NPT				NPT	NPT
1	8 <sup>1</sup> / <sub>8</sub> (206)	10 <sup>3</sup> / <sub>8</sub> (264)	5 <sup>3</sup> / <sub>4</sub> (146)	1	<sup>3</sup> / <sub>4</sub>

### Ordering Information

Model Number	Part Number	Description	Weight lbs. (kg)
53	136900	Mechanical water feeder	38.0 (17.2)
53-B	137400	53 w/float block	42.0 (19.0)
53-B-2	137500	53-B w/No. 2 switch	42.0 (19.0)
53-B-2-M	137600	53-B w/No. 2 switch & manual reset	42.0 (19.0)
53-2	137100	53 w/No. 2 switch	38.5 (17.5)
53-2-M	137200	53-2 w/manual reset	38.5 (17.5)

### Capacities

