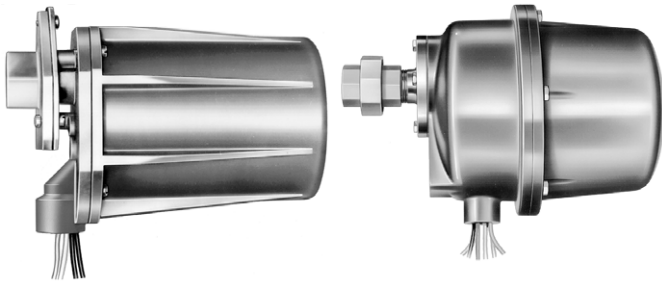


Flame Detectors

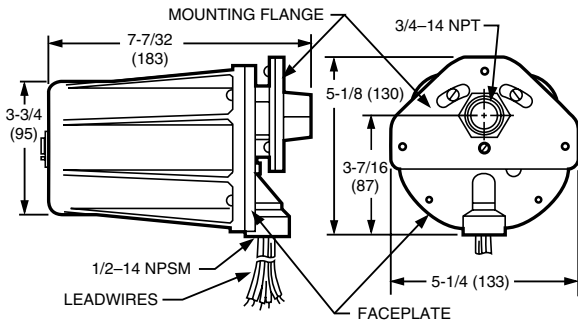
C7024 Solid State Purple Peeper® Ultraviolet Flame Detector



24 Vdc solid state electronic flame detectors for sensing the ultraviolet radiation emitted by the combustion of most carbon containing fuels, such as natural gas, LP gases, and oil.

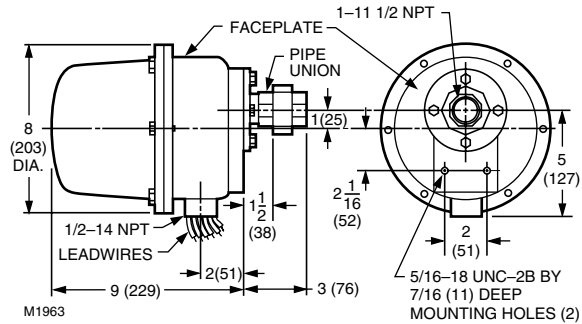
- Use with R7824C Dynamic Self-Check Flame Signal Amplifier.
- Circuitry provides low power consumption and high reliability.
- Mount horizontally, vertically or at any angle in between.
- Field-replaceable UV radiation sensing tube and quartz viewing window.
- Quick electrical installation with threaded conduit fitting and color-coded leadwires.
- Reduce nuisance shutdowns by wiring two in parallel.
- Oscillating shutter interrupts UV radiation 12 times per minute with R7824C.

Dimension Diagrams



C7012A,C,E,F

M1962B



M1963

Application: Gas fired burners
Oil fired burners
Coal fired burners

Type: Ultraviolet, Purple Peeper, Self-Checking

Dimensions, Approximate: 5 1/4 in. diameter (includes mounting flange), 7 7/32 in. long
(133 mm diameter (includes mounting flange), 183 mm long)

Electrical Ratings: 24 Vdc

Ambient Temperature Ratings: -20 F to 175 F (-20 C to 79 C)

Weight: 4.25 (1.9 kg)

Approvals:

Canadian Standards Association: Certified

Underwriters Laboratories, Inc: Component Recognized: File No. MP268

Product Number	Electrical Connections	Lead Lengths		Mounting Method	NEMA Rating	Comments	Used With
		(inch)	(mm)				
C7024E1001	Six NEC CLASS 1 color-coded leaders	8 ft.	2.4 m	3/4 in. NPT.	NEMA 4	Works with 24 Vdc only	Flame Amplifiers: R7824C
C7024F1009	Six NEC CLASS 1 color-coded leaders	8 ft.	2.4 m	1 in. NPT	Explosion Proof	Works with 24 Vdc only, explosion-proof, two piece, violet, cast aluminum.	Flame Amplifiers: R7824C