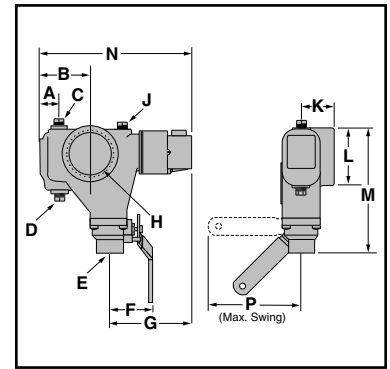


Low Water Cut-Offs – Mechanical For Steam Boilers

Series 767 Low Water Cut-Offs



- For residential and commercial low pressure boiler applications
- For boilers of any steaming capacity
- 2½" NPT body tapping for side mounting on boilers
- Lever-operated, full port ball valve for easy blow down
- Adjustable BX outlet for easy installation
- Dual precision switches for dependable operation of the low water cut-off and alarm or electric water feeder
- Large float chamber
- Maximum steam pressure 20 psi (1.4 kg/cm²)



Boiler Controls

Electrical Ratings

Voltage	Motor Switch Rating (Amperes)		Pilot Duty
	Full Load	Locked Rotor	
120 VAC	7.4	44.4	125 VA at 120 or 240 VAC
240 VAC	3.7	22.2	

Dimensions, in. (mm)

A	B	C NPT	D NPT	E NPT	F	G	H NPT	J NPT	K	L	M	N	P
1½ ₃₂ (29.3)	3 ¹³ / ₃₂ (186.5)	¾	¾	¾	2 ¹³ / ₁₆ (71)	5 ³ / ₈ (137)	2½	¼	2 ³ / ₆₄ (51.9)	3 ⁵ / ₈ (92)	8 ⁵ / ₃₂ (207)	9 ¹¹ / ₁₆ (246.6)	5½ (140)

Ordering Information

Model Number	Part Number	Description	Weight lbs. (kg)
767	153700	Low water cut-off	8.5 (3.9)