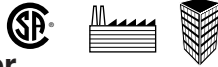
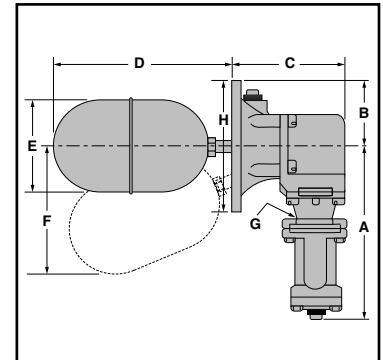


Water Feeders – Make-Up

Series 21 Make-Up Water Feeder



- For boiler receiver tanks
- Direct mounting eliminates need for equalizing connections
- Proportional feed action
- Mounting Flange – six $\frac{7}{16}$ " (11.1mm) bolt holes on a $5\frac{3}{4}$ " (146mm) bolt circle
- Soft seat provides positive seal
- Maximum water supply pressure 150 psi (10.5 kg/cm²)
- Maximum inlet water temperature 120°F (49°C)
- Maximum vessel pressure 35 psi (2.5 kg/cm²)

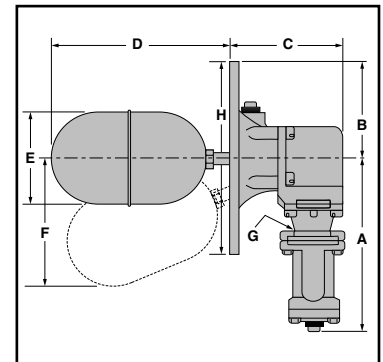


Dimensions, in. (mm)

| A | B | C | D | E | F | G NPT | H |
|----------|-------------------------------------|-------------------------------------|---------------------------------------|-------------------------------------|----------|----------|-------------------------------------|
| 8½ (216) | 3 ⁵ / ₁₆ (84) | 5 ⁵ / ₈ (143) | 8 ¹³ / ₁₆ (224) | 4 ³ / ₄ (121) | 6¼ (159) | ¾ | 7 ³ / ₈ (186) |

Series 221 Make-Up Water Feeder

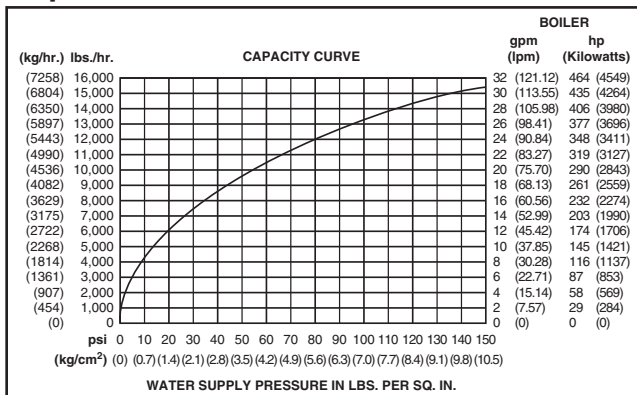
- For boiler receiver tanks
- Direct mounting eliminates need for equalizing connections
- Proportional feed action
- Mounting Flange – six $1\frac{7}{32}$ " (13.5mm) bolt holes on a $8\frac{1}{2}$ " (216mm) bolt circle
- Soft seat provides positive seal
- Maximum water supply pressure 150 psi (10.5 kg/cm²)
- Maximum inlet water temperature 120°F (49°C)
- Maximum vessel pressure 35 psi (2.5 kg/cm²)



Dimensions, in. (mm)

| A | B | C | D | E | F | G NPT | H |
|----------|--------------------------------------|-------------------------------------|---------------------------------------|-------------------------------------|----------|----------|----------|
| 8½ (216) | 4 ¹¹ / ₁₆ (84) | 5 ⁵ / ₈ (143) | 8 ¹³ / ₁₆ (224) | 4 ³ / ₄ (121) | 6¼ (159) | ¾ (20) | 9½ (241) |

Capacities



Ordering Information

| Model Number | Part Number | Description | Weight lbs. (kg) |
|--------------|-------------|----------------------|------------------|
| 21 | 126400 | Make-up water feeder | 15.3 (6.9) |
| 221 | 126600 | Make-up water feeder | 21.3 (9.7) |