



UNITED BRASS WORKS, INC.

714 S. Main St., Randleman, NC 27317

Tel: 800-334-3035 Fax: 800-498-4696 www.ubw.com



Model 3050FU 1/2" Float Valve

Max Inlet Water Pressure 50PSI

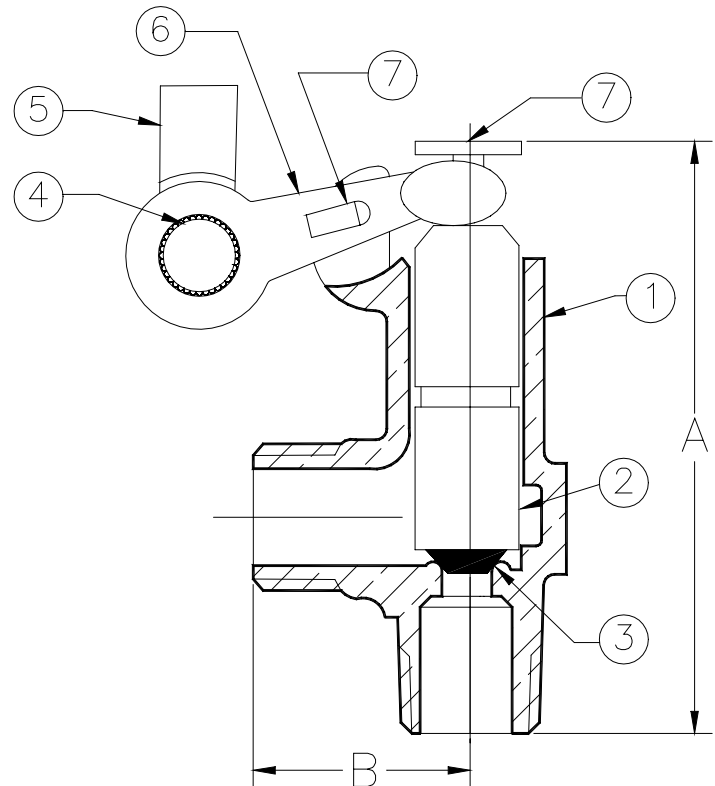
Brass Body

Brass Piston

EPDM Disc & O-Ring

MATERIAL LIST

| NO. | DESCRIPTION | MATERIAL |
|-----|-------------|----------|
| 1 | Body | Bronze |
| 2 | Plunger | Brass |
| 3 | Disc | EPDM |
| 4 | Thumb Screw | Brass |
| 5 | Short Arm | Brass |
| 6 | Long Arm | Brass |
| 7 | Cotter Pin | Brass |
| | | |



| | |
|-----------------|------|
| Size | 1/2" |
| A | 3.40 |
| B | 1.40 |
| Ship Wt. (lbs.) | 0.69 |
| Qty. Per Carton | 12 |