



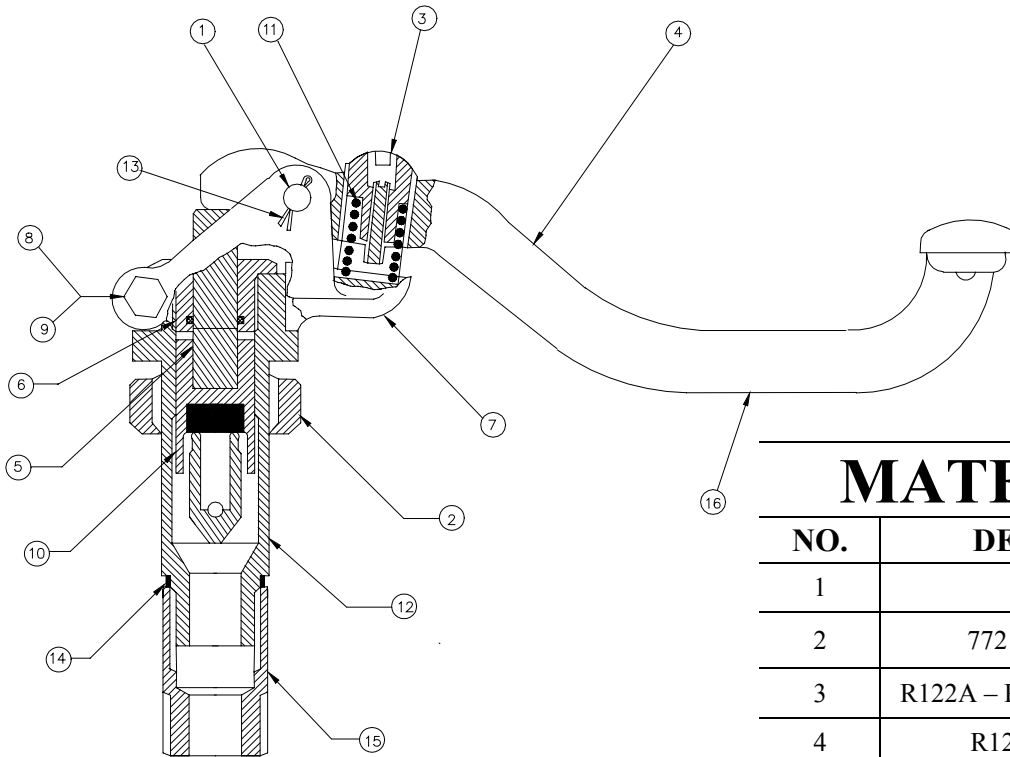
UNITED BRASS WORKS, INC.
 714 S. Main St., Randleman, NC 27317
 Tel: 800-334-3035 Fax: 800-498-4696 www.ubw.com



Model R121AB

Head Valve Assembly w/ Bushing

125WSP @ 350°F Max



MATERIAL LIST

NO.	DESCRIPTION	QTY.
1	727 – Pin	1
2	772 – Body Lock Nut	1
3	R122A – Plug & Screw Assembly	1
4	R126 – Handle Short	1
5	R127 – Valve Stem	1
6	R128 – Stem Guide & O-Ring	1
7	R129 – Valve Fulcrum	1
8	1/4-20 – 1/4 x 20 x 1 3/4 Hex Head Cap Screw	1
9	V171 – 1/4-20 Hex Nut	1
10	V115 – Disc Holder	1
11	735A – Compression Spring	1
12	X131 – 2-piece Valve Body	1
13	4052 – Cotter Pin	1
14	X132 – Metal Gasket	1
15	X133 – Bushing	1
16	X131L – Label for 2-piece body	1

*Install using V120T Gasket-(not included)