



# UNITED BRASS WORKS, INC.

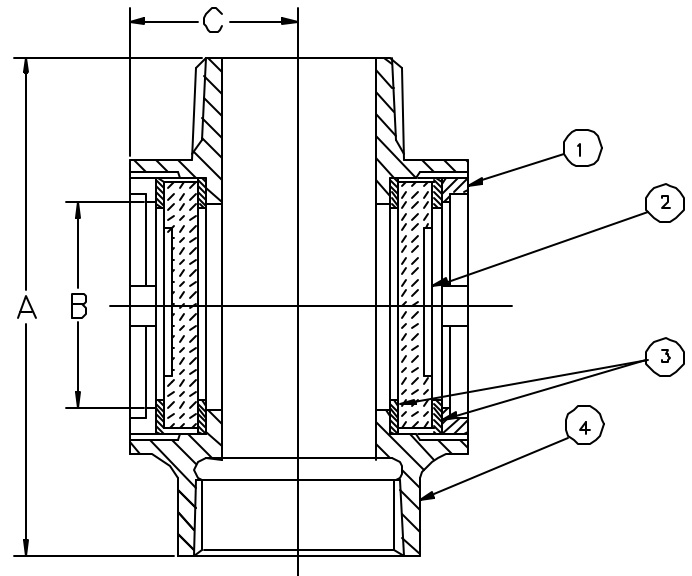
714 S. Main St., Randleman, NC 27317

Tel: 800-334-3035 Fax: 800-498-4696 www.ubw.com



## Model 70TT High Pressure Flow Indicator With PTFE Seals (See chart below for operating pressure by size.)

**100% Pressure Tested  
Male X Female Configuration**



### MATERIAL LIST

NO.	DESCRIPTION	MATERIAL
1	Ring	Brass
2	Window	Glass
3	Gaskets	PTFE
4	Body	Bronze

Size	¾"	1"	1 ¼"	1 ½"	2"	2 ½"	3"***
Operating Pressure (PSI) ***	85	85	85	40	40	40	25
A	4.00	4.00	4.00	6.19	6.19	6.38	3.88
B	1.63	1.63	1.63	2.43	2.43	2.43	2.91
C	1.69	1.69	1.75	2.25	2.25	2.25	2.52
Ship Wgt. (lbs)	1.37	1.50	1.50	4.69	4.56	5.25	8.25
Qty. Unit Pack	4	4	4	2	2	1	1
Unit Per Case	40	40	40				

\*\* 3" Double Female Only

\*\*\* Higher Pressure Glass Available As Special