



# UNITED BRASS WORKS, INC.

714 S. Main St., Randleman, NC 27317

Tel: 800-334-3035 Fax: 800-498-4696 www.ubw.com



## Model 125SUL Globe Valve

Soft Disc



UL Listed for Fire Sprinkler Service at 250 WOG

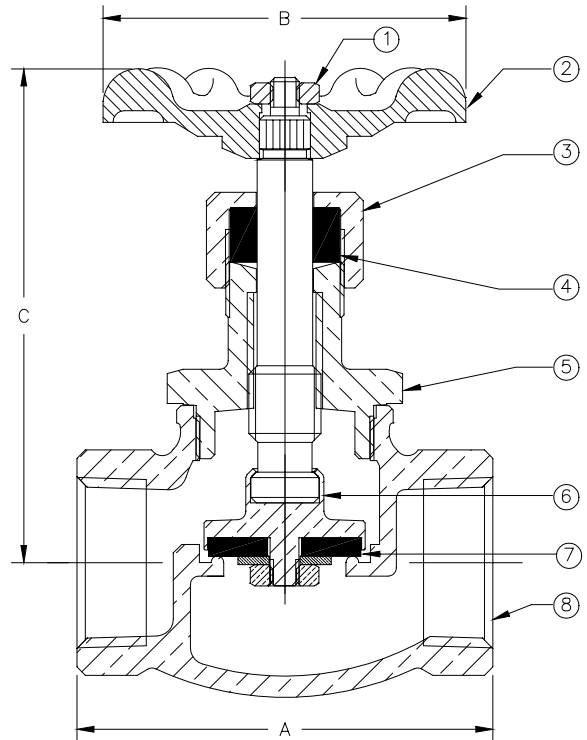
200 WOG @ 180 ° Max

100% Pressure Tested

Threaded Ends • Integral Seat

Rising Stem

Swivel Disc Holder



### MATERIAL LIST

| NO. | DESCRIPTION                              | MATERIAL          |
|-----|--|-------------------|
| 1   | Hex Nut                                  | Steel             |
| 2   | Hand Wheel                               | Aluminum          |
| 3   | Packing Nut                              | Brass             |
| 4   | Packing                                  | Graphite Non-Asb. |
| 5   | Bonnet (1/2" - 1")<br>Bonnet (1/4" - 2") | Brass<br>Bronze   |
| 6   | Stem & Disc Assm.                        | Brass             |
| 7   | Disc                                     | Buna N            |
| 8   | Body                                     | Bronze            |

| Size            | 1/2" | 3/4" | 1"   | 1 1/4" | 1 1/2" | 2"   |
|-----------------|------|------|------|--------|--------|------|
| A               | 2.22 | 2.47 | 2.97 | 3.56   | 4.06   | 4.69 |
| B               | 2.03 | 2.38 | 2.75 | 3.00   | 3.72   | 3.72 |
| C (closed)      | 3.38 | 3.50 | 4.25 | 4.75   | 5.50   | 5.50 |
| Ship Wt. (lbs.) | 0.69 | 0.94 | 1.76 | 2.50   | 3.26   | 5.32 |
| Qty. Unit Pack  | 12   | 6    | 6    | 4      | 2      | 2    |
| Qty. Per Case   | 72   | 60   | 36   | 24     | 12     | 12   |