

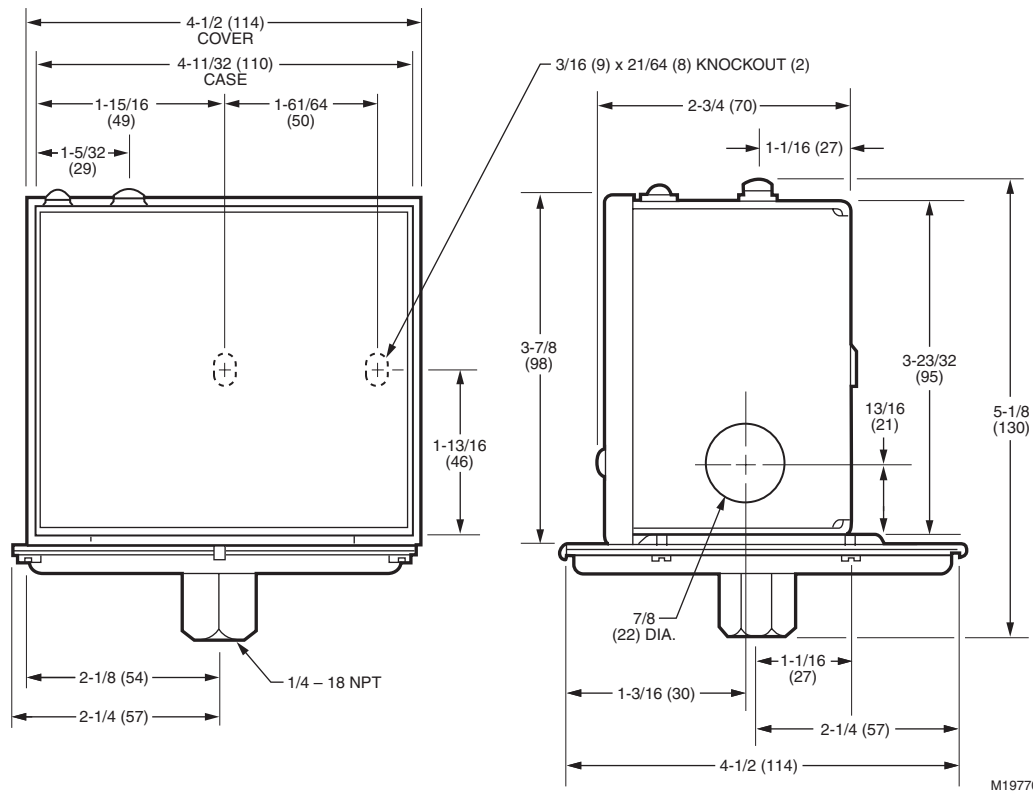
L408; L608 Vaporstat® Controllers



Provide operating control and automatic high limit protection for vapor heating systems with pressures up to 4 psi (8 kPa)

- Stainless steel diaphragm for use with liquids, air, noncombustible gases, ammonia, oxygen, distilled water and similar media.
- Provide dustproof, trouble-free mercury switching.
- Clear plastic cover allows observation of the pressure settings, leveling indicator and switch action.
- Include 14026 Siphon Loop.
- Integral plumb bob for accurate leveling at installation.
- Mount using hexagonal fitting with 1/4 in. NPT internal threads for direct mounting to the 14026 Steam Trap (siphon loop), which is included.

Dimension Diagrams



Dimensions, Approximate: 5 1/8 in. high, 4 1/2 in. wide, 4 1/2 in. deep. (130 mm high, 114 mm wide, 114 mm deep.)

Application: Provide operating control and automatic limit protection for pressure systems with pressures up to 4 psi (8 kPa)

Differential Type: Subtractive

Mounting: 1/4 in. NPT internal thread or surface mount through back of case

Piping Connections, Main or High Pressure: 1/4 in. NPT internal thread

Temperature Ratings: -35 F to 150 (-37 C to 66 C)

Approvals:

Canadian Standards Association: Certified: File No. LR1620, Guide No. 400-E-O

Industrial Risk Insurers: Acceptable

Underwriters Laboratories, Inc: Listed: File No. MP466, Guide No. MBPR

Switch Contact Ratings:

	120 Vac	120 Vdc	240 Vac	240 Vdc
L408	8.0 AFL, 48.0 ALR, 10.0 A resistive	2.4 AFL, 24.0 ALR, 5.0 A resistive	5.1 AFL, 30.6 ALR, 5.0 A resistive	1.0 AFL, 10.0 ALR, 2.0 A resistive
L608	8.0 AFL, 48.0 ALR, 10.0 A resistive	2.0 AFL, 20.0 ALR, 8.0 A resistive	5.1 AFL, 30.6 ALR, 5.0 A resistive	1.0 AFL, 10.0 ALR, 2.0 A resistive

Accessories:

33312B Pressure Control/Limits, Knurled Adjustment knob-with set screw. Fits head of main adjusting screw to permit adjusting without screwdriver.

4074BWJ Pressure Control/Limits, Limit Stop Assembly - to limit set point. Includes 129564 Range Stop, 107194 Range Stop Screw and 23466 Wrench.