



UNITED BRASS WORKS, INC.
 714 S. Main St., Randleman, NC 27317
 Tel: 800-334-3035 Fax: 800-498-4696 www.ubw.com

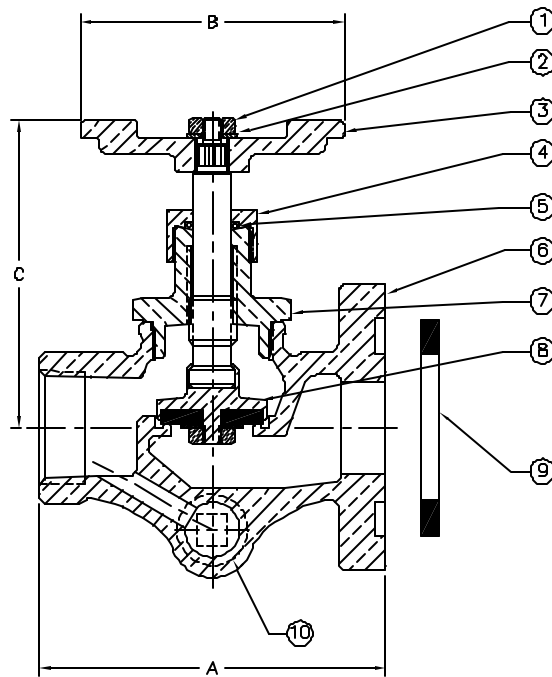


Model 127TFHB Sampler Valve

300 WOG • 100% Pressure Tested
Flange Inlet x Threaded Outlet
PTFE Disc • Bronze Hand Wheel
Gasket Groove
Special 7/16" Bolt Holes in Flange

MATERIAL LIST

NO.	DESCRIPTION	MATERIAL
1	Nut	Steel
2	Washer	Steel
3	Hand Wheel	Bronze
4	O-Ring Nut	Brass
5	O-Ring	Buna
6	Body	Bronze
7	Bonnet 1" Bonnet 2"	Brass Bronze
8	Stem & Disc Assembly	Brass
9	Gasket	Buna
10	Pipe Plug	Brass



Size	A	B	C (Open)	C (Closed)	Bolt Circle	Bolt Hole	Weight
1"	3.81	2.94	3.75	3.31	3.13	0.44	3.93
2"	5.69	3.75	6.13	5.63	4.75	0.44	11.35