

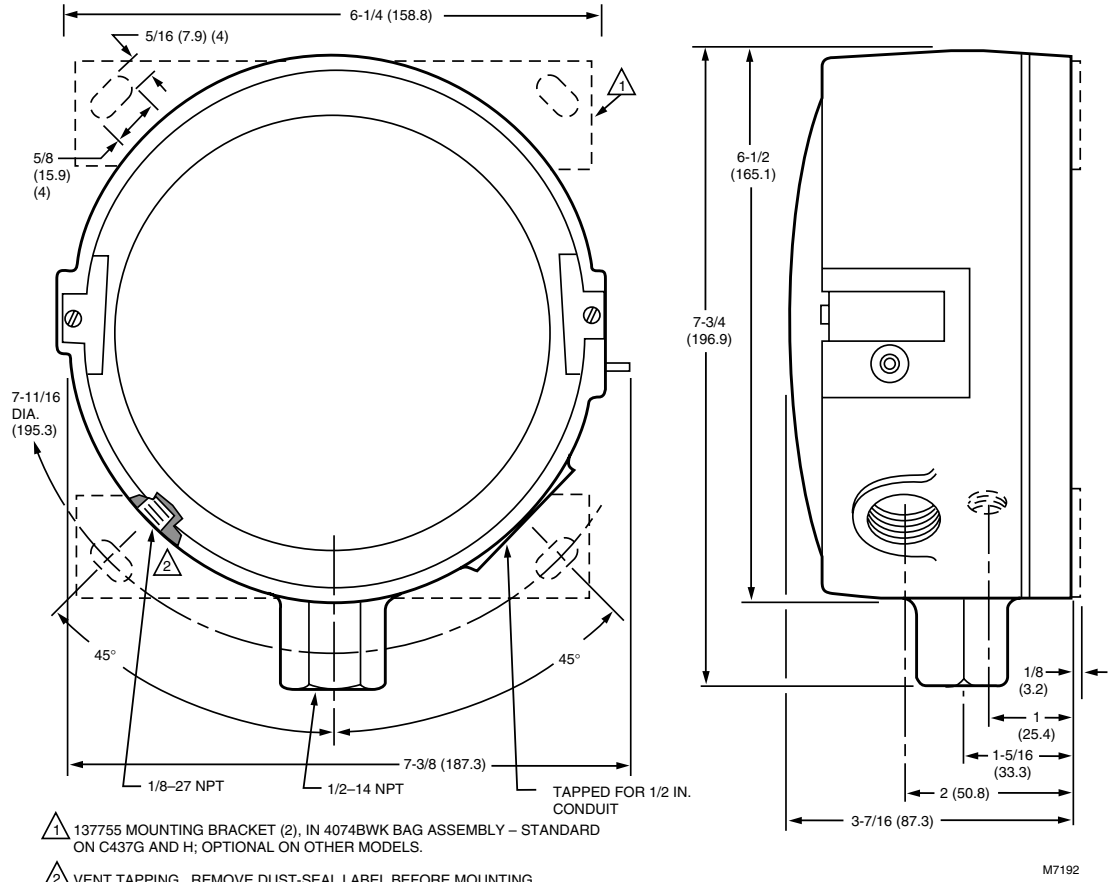
C437; C637 Gas/Air Pressure Switches



Pressure or differential pressure limit controls for industrial gas systems.

- Use C437 for spst switching or C637 for spdt switching.
- Compensate for momentary surges in gas pressure with a restrictive orifice in inlet pressure channel on the models with pressure range of 1 to 26 in. wc (0.25 to 6.5 kPa).
- Resume operation by manually resetting when using lockout application models.
- Impede tampering and provide dust-resistant operation with enclosed setting.
- Increase strength of control diaphragm with Buna-N fiber-reinforced material.
- Clear glass cover allows observation of interior mechanism to aid in setting and checkout.
- Mercury switch provides visual indication of switch position.

Dimension Diagram



Application: Safety shutoff, pressure control, and differential-pressure control.
Case Material: Die-cast aluminum
Differential Type: Subtractive
Piping Connections, Main or High Pressure: 1/2 in. NPT internal thread
Piping Connections, Vent or Low pressure: 1/8 in. NPT internal thread
Temperature (max. ambient): 125 F (52 C)
Switch Contact Ratings:

Temperature Ratings: 32 F to 125 F (0 C to 52 C)
Approvals:
Canadian Standards Association: Certified: File No. LR1620, Guide No. 380-W-1.16
Industrial Risk Insurers: Acceptable
Factory Mutual: Approved: Report No. 22018, 24127, J.I.IF4A3.AF
Underwriters Laboratories, Inc: Listed: File No. MP2168, Guide No. MFHX

	120 Vac	120 Vdc	240 Vac	240 Vdc
C437D,E,H	8.0 AFL, 48.0 ALR, 10.0 A resistive	2.4 AFL, 24.0 ALR, 5.0 A resistive	5.1 AFL, 30.6 ALR, 5.0 A resistive	1.2 AFL, 12.0 ALR, 2.0 A resistive
C437F,J,K	8.0 AFL, 48.0 ALR, 10.0 A resistive	2.0 AFL, 20.0 ALR, 8.0 A resistive	5.1 AFL, 30.6 ALR, 5.0 A resistive	1.0 AFL, 10.0 ALR, 4.0 A resistive
C637B	62.5 VA pilot duty	—	62.5 VA pilot duty	—