

SMS PROJECTOR CL F



At the top of its game.

SMS Projector CL F is a popular ceiling bracket for lighter projectors. A construction that is as durable and reliable as it is eye-catching. Unsightly cables are hidden inside the bracket. SMS Projector CL F is the result of design and function working in harmony at an affordable price. The bracket is easy to install and the pillar can be cut to the desired length.

- | | | | |
|---|--|---|--------------------------------|
| <input checked="" type="radio"/> Ceiling | <input type="radio"/> Heavy weight | <input checked="" type="radio"/> Fixed | <input type="radio"/> Variable |
| <input type="radio"/> Wall | <input type="radio"/> Middle weight | <input type="radio"/> Swivel | <input type="radio"/> UniSlide |
| <input type="radio"/> Floor | <input checked="" type="radio"/> Light weight | <input type="radio"/> Tilt | <input type="radio"/> Hidden |
| <input type="radio"/> Table | | <input type="radio"/> 3D | <input type="radio"/> Double |
| | | <input type="radio"/> Mobile | |

SMS PROJECTOR CL F

INFO

- Color: Aluminum/silver.
- Max load: 12 kg
- Weight: 1-3 kg (depending on length of bracket).
- Length: 75 (cannot be cut), 250, 500, 700, 1000, 1500 and 2300 mm.
- Swivel & Tilt: The projector can be swiveled 360° and tilted 25°.

Require unislide: SMS Projector Unislide (Not included).

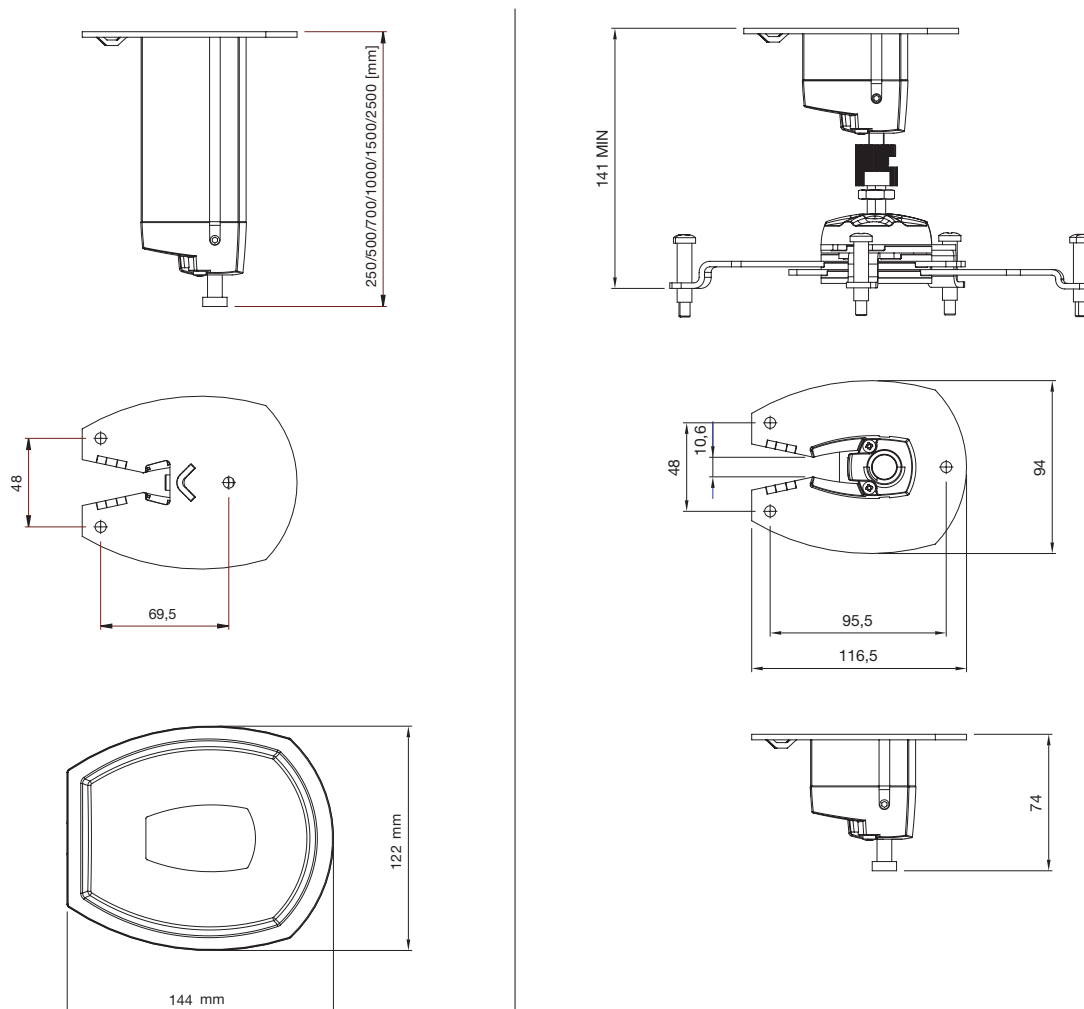
ART. NO

AE014001
AE014003
AE014005
AE014007
AE014009
AE014011
AE014013
AE014015

AE014025

DESCRIPTION

SMS Projector CL F75 Aluminum/silver
SMS Projector CL F250 Aluminum/silver
SMS Projector CL F500 Aluminum/silver
SMS Projector CL F700 Aluminum/silver
SMS Projector CL F1000 Aluminum/silver
SMS Projector CL F1500 Aluminum/silver
SMS Projector CL F2300 Aluminum/silver
SMS Projector CL F75 Aluminum/silver
incl SMS projector Unislide.
SMS Projector CL F250 Aluminum/silver
incl SMS projector Unislide



SMART MEDIA SOLUTIONS

www.SmartMediaSolutions.se