



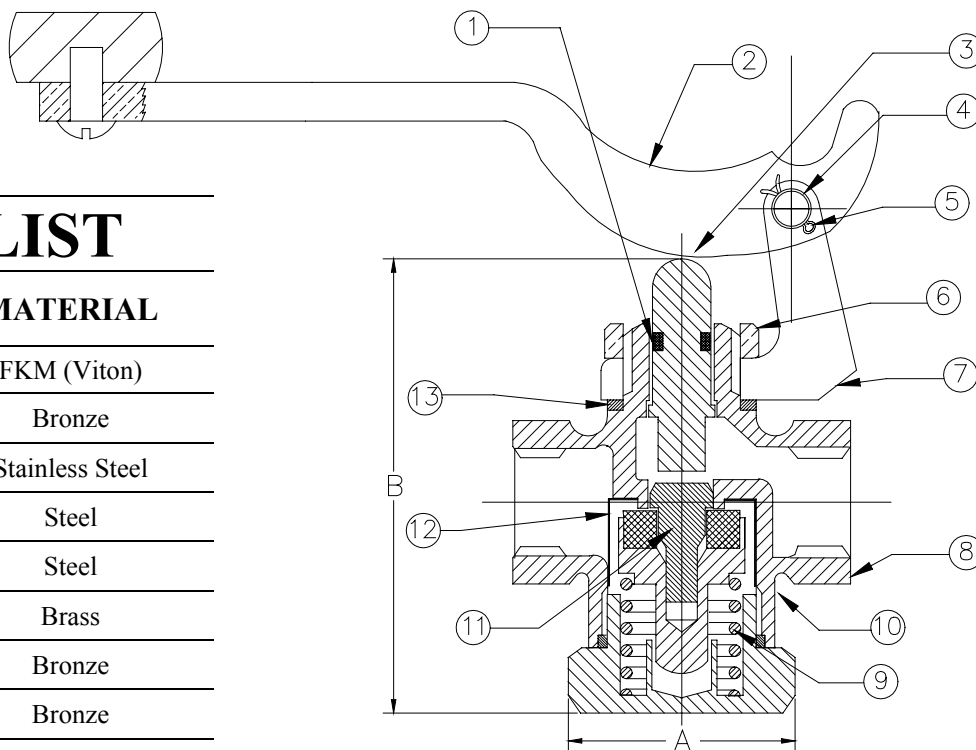
# UNITED BRASS WORKS, INC.

714 S. Main St., Randleman, NC 27317

Tel: 800-334-3035 Fax: 800-498-4696 www.ubw.com



**Model 44SS Whistle Valve**  
**Quick-Opening Self-Closing Globe Valve**  
**With Yoke & Lever**  
**Built-In Strainer Screen**  
**150WSP • 400 WOG**  
**100% Pressure Tested**  
**Threaded Ends**  
**PTFE Disc • Integral Seat**



## MATERIAL LIST

NO.	DESCRIPTION	MATERIAL
1	O-Ring	FKM (Viton)
2	Lever	Bronze
3	Stem	Stainless Steel
4	Clevis Pin	Steel
5	Cotter Pin	Steel
6	Lock Nut	Brass
7	Yoke	Bronze
8	Body	Bronze
9	Spring	Stainless Steel
10	Cap	Brass
11	Disc Holder	Brass
12	Screen	Stainless Steel
13	Lock Washer	Copper

	A	B	Qty. Per Ctn.
44NY 1/4"	1.88	2.50	12