



UNITED BRASS WORKS, INC.

714 S. Main St., Randleman, NC 27317

Tel: 800-334-3035 Fax: 800-498-4696 www.ubw.com



Model 18 Gate Valve

Bronze Screwed Ends

Outside Screw & Yoke



UL Listed / FM Approved @ 175 lbs. WOG

200 WOG @ 180 ° Max

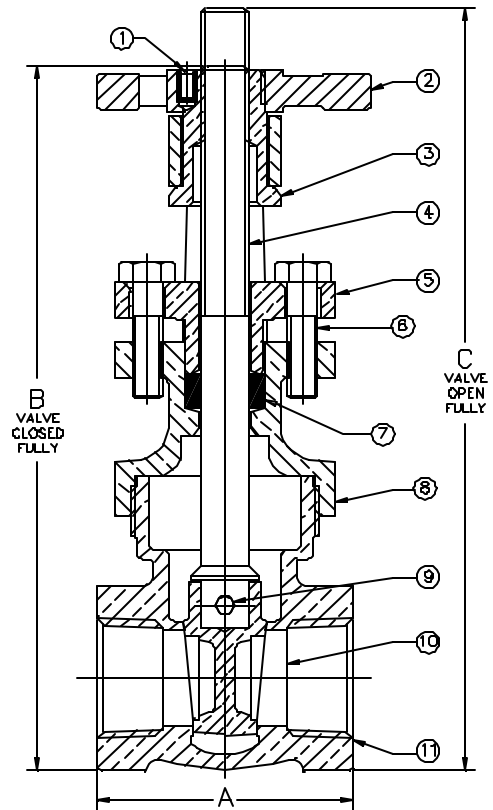
100% Pressure Tested

Rising Stem

MEA Approval 255-93-E

MATERIAL LIST

NO.	DESCRIPTION	MATERIAL
1	Set Screw	Steel
2	Hand Wheel	Iron
3	Yoke Bushing	Brass
4	Stem	Brass
5	Packing Gland	Brass
6	Cap Screw	Steel
7	Packing	Graphite Non-Asb.
8	Bonnet	Bronze
9	Spirol Pin	Stainless Steel
10	Wedge	Bronze
11	Body	Bronze



Size	A	B	C	Ship Wgt. (lbs.)	Qty. Unit Pack	Qty. Per Case
1	2.55	6.55	7.97	3.85	6	18
1 ¼"	2.81	7.61	9.47	6.26	2	12
1 ½"	2.86	7.84	9.75	6.55	2	6
2"	3.09	8.88	11.22	9.96	2	6