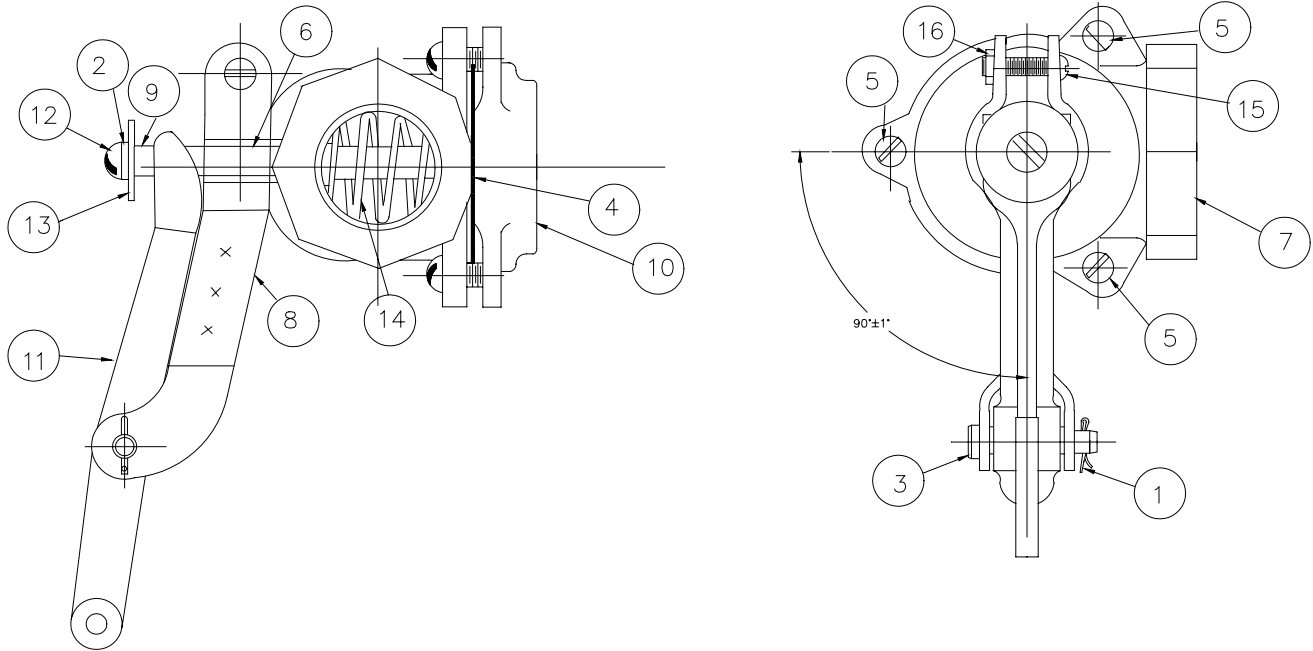




UNITED BRASS WORKS, INC.
 714 S. Main St., Randleman, NC 27317
 Tel: 800-334-3035 Fax: 800-498-4696 www.ubw.com



Model X175 Air Vacuum Valve



MATERIAL LIST

| NO. | DESCRIPTION | QTY. |
|-----|--------------------------------|------|
| 1 | 4052 – Cotter Pin | 1 |
| 2 | R132 – Lockwasher | 1 |
| 3 | V111 – Fulcrum Pin | 1 |
| 4 | V155 – Gasket | 1 |
| 5 | V156 - 1/4 x 3/4 Machine Screw | 3 |
| 6 | V162B – Bushing | 1 |
| 7 | V162A – Body (Forenta) | 1 |
| 8 | V163 – Fulcrum (Forenta) | 1 |

| NO. | DESCRIPTION | QTY. |
|-----|--------------------------------|------|
| 9 | V164B – Stem & Disc Assembly | 1 |
| 10 | V166 – Valve Seat Coupling | 1 |
| 11 | V176 – Straight Lever | 1 |
| 12 | V170 – 1/4 x 1/2 Machine Screw | 1 |
| 13 | V172 – Washer | 1 |
| 14 | V173 – Spring | 1 |
| 15 | V175 – 10-24 x 3/4 Screw | 1 |
| 16 | V176 – 10-24 Nut | 1 |