



UNITED BRASS WORKS, INC.

714 S. Main St., Randleman, NC 27317

Tel: 800-334-3035 Fax: 800-498-4696 www.ubw.com



Model 70HRP Sprinkler Systems Flow Indicator

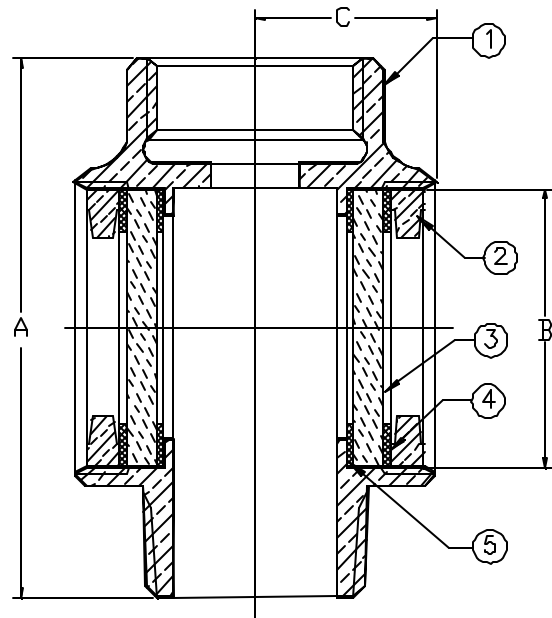


175 WOG @ 150° Max
100% Pressure Tested
Male X Female Configuration
Built-In 1/2" Restricting Orifice

* *Continuous use above 150° can cause embrittlement and reduce strength of Polycarbonate Window.*

MATERIAL LIST

NO.	DESCRIPTION	MATERIAL
1	Body	Bronze
2	Ring	Brass
3	Window	Polycarbonate
4	Gasket	Cork
5	Gasket	Buna



Size	1"	1 1/4"
Operating Pressure (PSI) ***	175	175
A	4.00	4.00
B	1.63	1.63
C	1.69	1.75
Ship Wgt. (lbs)	1.50	1.50
Qty. Unit Pack	4	4
Unit Per Case	40	40