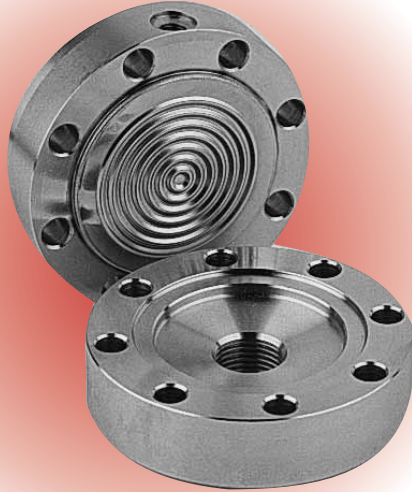


#70 NACE Diaphragm Seals

30" Vac to 2500 psi (-100 to 15,850 kPa)



Meets NACE Standard MR0175-2003

NACE MR0175-2003

Description

Winters #70 NACE Diaphragm Seals can be used on applications requiring a NACE compliant MR0175-2003 diaphragm seal.

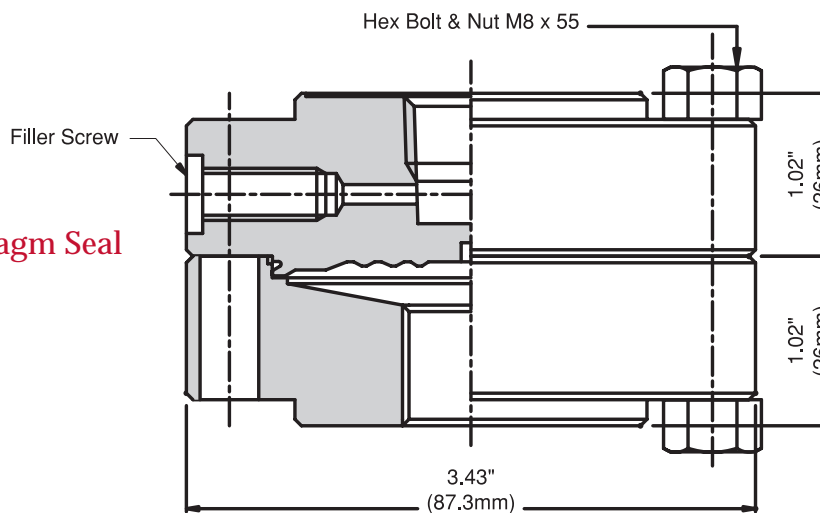
Diaphragm Seals

Product Codes	
Upper Housing (Top)	
Hast. C, 1/4" NPT conn., Hastelloy C diaphragm	DN966HASC75
Hast. C, 1/2" NPT conn., Hastelloy C diaphragm	DN967HASC75
Lower Housing (Bottom)	
Hastelloy C, 1/4" NPT conn.	DN954HASC75
Hastelloy C, 1/2" NPT conn.	DN956HASC75
Hastelloy C, 1/2" NPT conn. with flushing	DN957HASC75
Hastelloy C, 3/4" NPT conn. with flushing	DN959HASC75
Hastelloy C, 3/4" NPT conn.	DN963HASC75
Hastelloy C, 1" NPT conn.	DN964HASC75
Hastelloy C, 1" NPT conn. with flushing	DN965HASC75

SPECIFICATIONS	
Housing:	Hastelloy C
Diaphragm:	Hastelloy C, welded
Construction:	Two piece construction
Connection:	Top: 1/4" and 1/2" NPT Bottom: 1/4", 1/2", 3/4" and 1" NPT
Other:	Flushing connections available. Other materials available upon request.

Options: • FL-D = Silicone fill (seal only) • FL-D = Fluorolube fill (seal only)

#70 NACE Diaphragm Seal



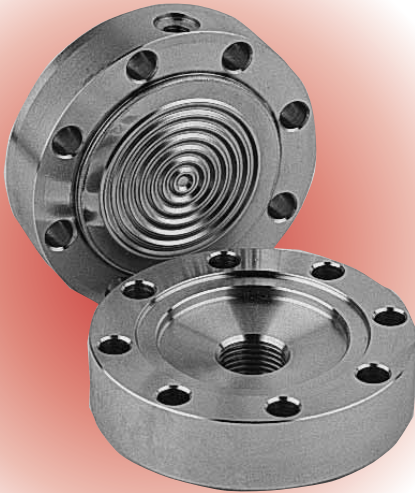
#70 NACE Diaphragm Seals

30" Vac to 2500 psi (-100 to 15,850 kPa)

NACE MR0103-2003

Description

Any applications requiring a NACE compliant MR0103-2003 diaphragm seal.

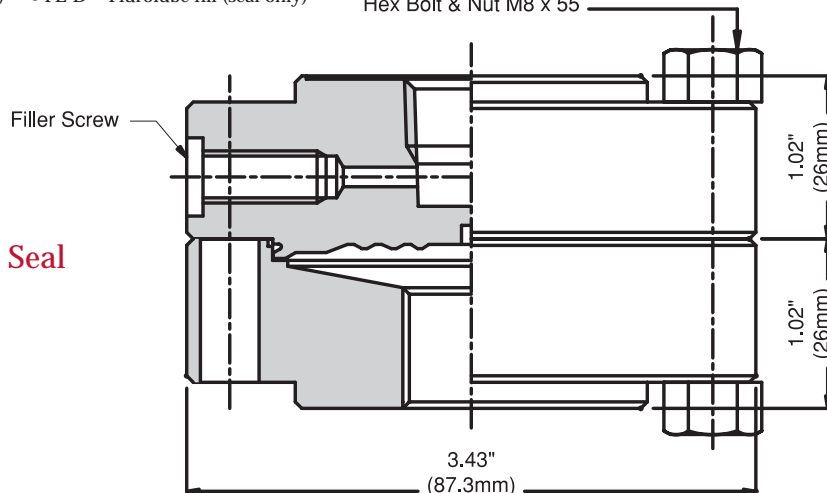


Meets NACE Standard MR0103-2003

Product Codes		SPECIFICATIONS	
Upper Housing (Top)		Housing:	316 stainless steel
316 St/St, 1/4" NPT conn., 316 St/St diaphragm	DN95003	Diaphragm:	316 stainless steel, welded
316 St/St, 1/2" NPT conn., 316 St/St diaphragm	DN95203	Construction:	Two piece construction
Lower Housing (Bottom)		Connection:	Top: 1/4" and 1/2" NPT Bottom: 1/4", 1/2", 3/4" and 1" NPT
316 St/St, 1/4" NPT conn.	DN95403	Other:	Flushing connections available. Other materials available upon request.
316 St/St, 1/2" NPT conn.	DN95603		
316 St/St, 1/2" NPT conn. with flushing	DN95703		
316 St/St, 3/4" NPT conn. with flushing	DN95903		
316 St/St, 3/4" NPT conn.	DN96303		
316 St/St, 1" NPT conn.	DN96403		
316 St/St, 1" NPT conn. with flushing	DN96503		

Options: • SF-D = Silicone fill (seal only) • FL-D = Fluorolube fill (seal only)

Hex Bolt & Nut M8 x 55



#70 NACE Diaphragm Seal