

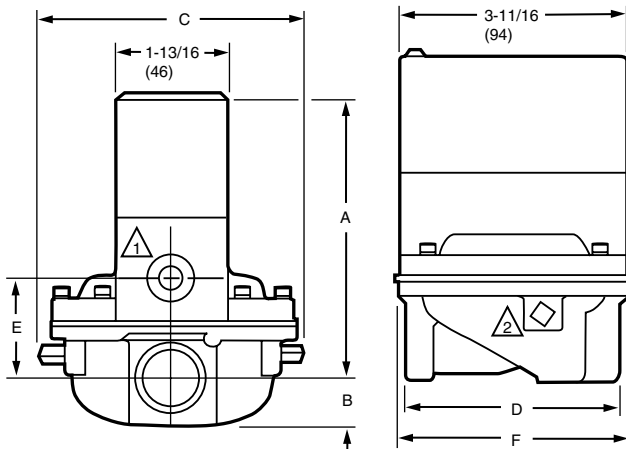
## V48A; V88A Diaphragm Gas Valves



**Solenoid-operated diaphragm valves provide slow opening and fast closing for controlling fuel gases.**

- Close firmly with diaphragm that is both weight and spring loaded.
- Close on power failure; recommended for final shutoff service.
- Set opening time with various sized bleed orifices or adjustable bleed valve.
- Use with LP, natural or manufactured gases.
- Made with cast aluminum in straight-through valve pattern.
- Optional valve position indicator available for 1-1/4 in. and larger valves.

### Dimension Diagrams



1 BLEED TAPPING: 1/8-27 NPT, OR 1/8-28 BSP. PL.

2 PILOT TAPPING (2): 1/8-27 NPT FOR 3/4 THROUGH 1-1/2 IN. SIZES, 1/4-18 NPT FOR 2 THROUGH 3 IN. SIZES; OR 1/8-28 BSP. PL FOR 1 THROUGH 1-1/2 IN. SIZES, 1/4-19 BSP.PL FOR 2 THROUGH 3 IN SIZES.

VALVE SIZE (IN.)	APPROXIMATE DIMENSIONS											
	A		B		C		D		E		F	
	IN.	MM	IN.	MM	IN.	MM	IN.	MM	IN.	MM	IN.	MM
3/4	4-11/16	119.1	3/4	19.1	4-5/8	117.5	3-1/2	88.9	1-5/8	41.3	3-13/16	96.8
1	5-1/16	128.6	1	25.4	5	127.0	3-11/16	93.7	2-1/16	52.4	4-5/16	109.5
1-1/4	5-9/16	141.3	1-1/4	31.8	5-7/8	149.2	5-5/16	134.9	2-3/8	60.3	5-5/16	134.9
1-1/2	5-9/16	141.3	1-1/4	31.8	5-7/8	149.2	5-5/16	134.9	2-3/8	60.3	5-5/16	134.9
2	6-15/16	176.2	2-1/4	57.2	9-1/2	241.3	8-3/8	212.7	3-9/16	90.5	5-5/16	236.5
2-1/2	6-15/16	176.2	2-1/4	57.2	9-1/2	241.3	8-3/8	212.7	3-9/16	90.5	9-5/16	236.5
3	6-15/16	176.2	2-1/4	57.2	9-1/2	241.3	8-3/8	212.7	3-9/16	90.5	9-5/16	236.5

M8487

**Body Material:** Aluminum  
**Electrical Terminations:** 6 in. Leadwires  
**Frequency:** 60 Hz  
**Ground terminal:** Yes  
**Mounting Type:** Upright (horizontal)  
**Temperature Ratings:** 32 F to 125 F (0 C to 52 C)  
**Pressure Ratings:** 1/2 psi (3.4 kPa)  
**Pilot Tapping:** 1/8-27 NPT  
**Power Consumption:** 9 W, 15 VA max  
**Valve pattern:** Straight-through  
**Approvals:**  
**Canadian Standards Association:** Certificate No. 158158-2500005576 (Z21.21-CSA 6.5)  
**Underwriters Laboratories, Inc:** File No. MH1639, Guide No. YIOZ

### Capacity:

Pipe size (in.)	AGA Certified 1.0 in. pd Natural Gas cfh	m <sup>3</sup> /hr
3/4 in.	668 cfh	18.9 m <sup>3</sup> /hr
1 in.	1021 cfh	28.9 m <sup>3</sup> /hr
1 1/4 in.	2100 cfh	59.5 m <sup>3</sup> /hr
1 1/2 in.	2400 cfh	67.9 m <sup>3</sup> /hr
2 in.	4178 cfh	118.3 m <sup>3</sup> /hr
2 1/2 in.	5100 cfh	144.4 m <sup>3</sup> /hr
3 in.	5562 cfh	157.5 m <sup>3</sup> /hr

### Current (max amps at rated Vac/Hz):

V48A	0.12 amps
V88A	0.62 amps

**Replacement Parts:**  
 See chart on page 745

Product Number	Pipe size (in.)	Type of Gas	Bleed Tapping	Power Supply (Vac)	Valve Closing Time	Valve Opening Time	Replacement Parts	Comments
V48A2151	3/4 in.	LP, natural, or manufactured	1/8-27 NPT	120 Vac	1 sec max	5 sec max	116931 Coil	—
V48A2169	1 in.	LP, natural, or manufactured	1/8-27 NPT	120 Vac	1 sec max	5 sec max	116931 Coil	—
V48A2177	1 1/4 in.	LP, natural, or manufactured	1/8-27 NPT	120 Vac	1 sec max	5 sec max	116931 Coil	—
V48A2185	1 1/2 in.	LP, natural, or manufactured	1/8-27 NPT	120 Vac	1 sec max	5 sec max	116931 Coil	—