



# UNITED BRASS WORKS, INC.

714 S. Main St., Randleman, NC 27317

Tel: 800-334-3035 Fax: 800-498-4696 www.ubw.com

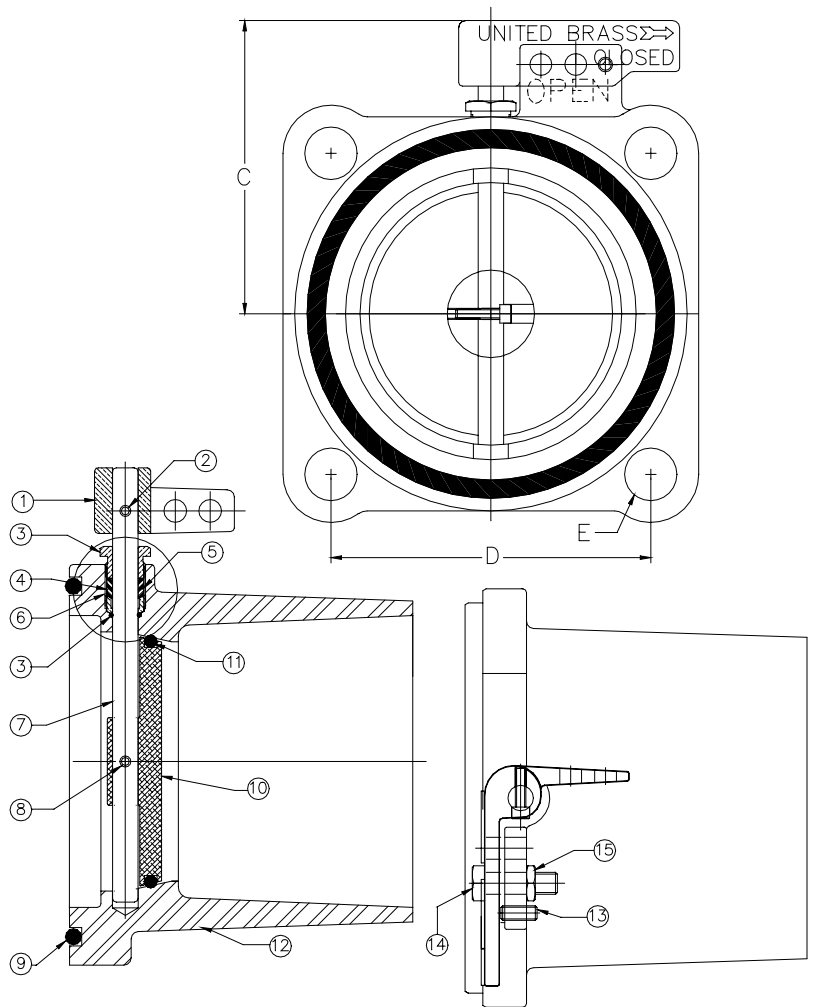


## Model 150VO Butterfly Valve

**Flange x Weldable Pipe End**  
**100% Pressure Tested**  
**High Temp O-Rings (-65°F to 275°F)**  
**Zero Leakage Design**  
**Face O-Ring**

### MATERIAL LIST

NO.	DESCRIPTION	MATERIAL
1	Handle	Bronze
2	Cap Screw	Stainless Steel
3	Packing Gland	Brass
4	Packing	PTFE
5	O-Ring Follower	Brass
6	O-Ring	Mil Spec BUNA
7	Stem	Stainless Steel
8	Cap Screw	Stainless Steel
9	O-Ring	Mil Spec BUNA
10	Gate	Aluminum
11	O-Ring	Mil Spec BUNA
12	Body	Carbon Steel
13	Set Screw	Stainless Steel
14	Bolt	Steel
15	Nut	Steel



A	B	C	D	E
5.63	5.50	5.03	5.50	0.91