



UNITED BRASS WORKS, INC.

714 S. Main St., Randleman, NC 27317

Tel: 800-334-3035 Fax: 800-498-4696 www.ubw.com

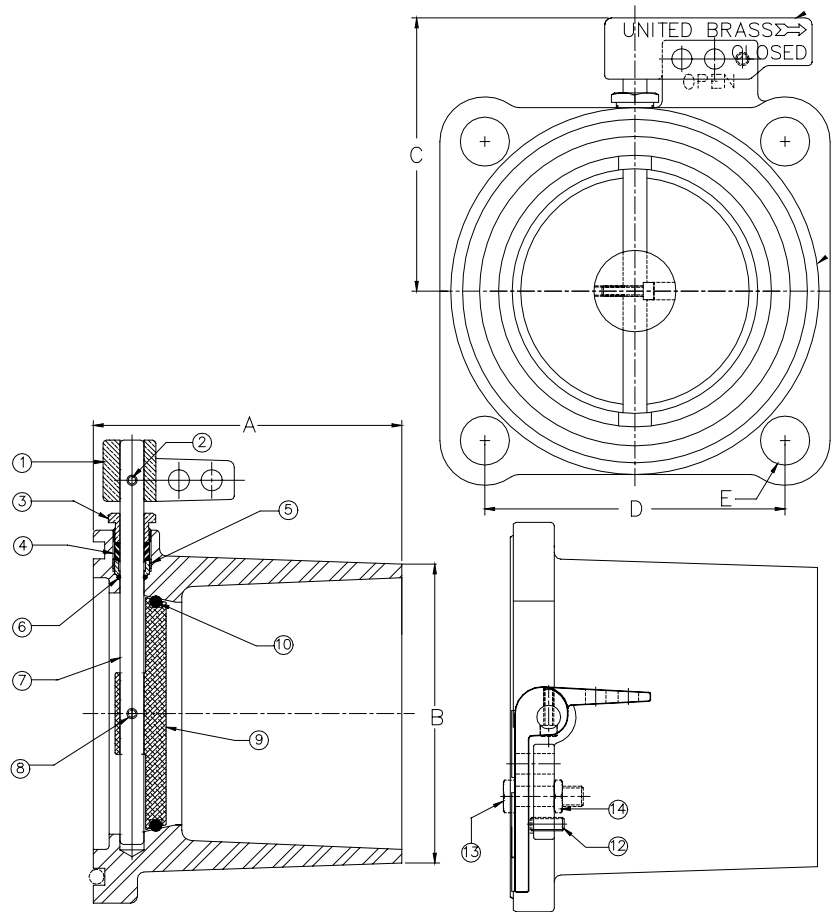


Model 150NO Butterfly Valve

Flange x Weldable Pipe End
100% Pressure Tested
High Temp O-Rings (-65°F to 275°F)
Zero Leakage Design

MATERIAL LIST

| NO. | DESCRIPTION | MATERIAL |
|-----|-----------------|-----------------|
| 1 | Handle | Bronze |
| 2 | Cap Screw | Stainless Steel |
| 3 | Packing Gland | Brass |
| 4 | Packing | PTFE |
| 5 | O-Ring Follower | Brass |
| 6 | O-Ring | Mil Spec BUNA |
| 7 | Stem | Stainless Steel |
| 8 | Cap Screw | Stainless Steel |
| 9 | Gate | Aluminum |
| 10 | O-Ring | Mil Spec BUNA |
| 11 | Body | Carbon Steel |
| 12 | Set Screw | Stainless Steel |
| 13 | Bolt | Steel |
| 14 | Nut | Steel |



| A | B | C | D | E |
|------|------|------|------|------|
| 5.63 | 5.50 | 5.03 | 5.50 | 0.91 |