



UNITED BRASS WORKS, INC.
 714 S. Main St., Randleman, NC 27317
 Tel: 800-334-3035 Fax: 800-498-4696 www.ubw.com

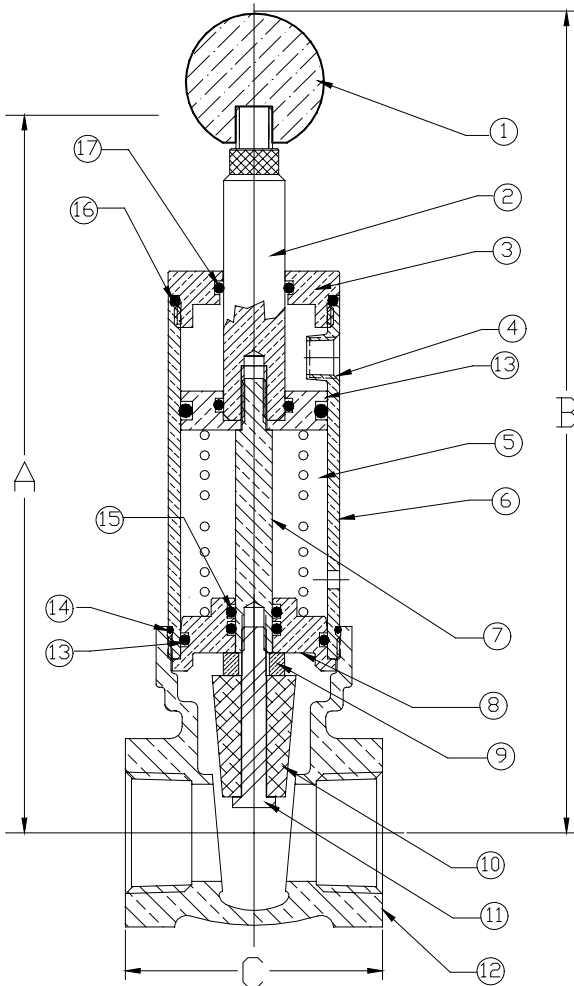


Model 20TWNO Air Cylinder Operated Gate Valve Normally Open

150PSI Body Rating 180 ° Max • 100% Pressure Tested
Threaded Ends • Rising Stem • PTFE Wedge
60PSI Operating Pressure for Standard Configuration.
80PSI Air Pressure Required

For other requirements, consult factory.

MATERIAL LIST



NO.	DESCRIPTION	MATERIAL
1	Ball Knob	Plastic
2	Upper Stem	Brass
3	Upper Cap	Brass
4	Piston Cup	Buna
5	Spring	Steel
6	Cylinder	Brass
7	Lower Stem	Brass
8	Bottom Cap	Brass
9	Nut	Brass
10	Wedge	PTFE
11	Cap Screw	Stainless Steel
12	Body	Bronze
13	O-Ring	FKM (Viton)
14	O-Ring	FKM (Viton)
15	O-Ring	FKM (Viton)
16	O-Ring	FKM (Viton)
17	O-Ring	FKM (Viton)

Size	A Closed	B Open	C Width
1"	7.375	8.500	2.625
1 1/2"	9.625	11.500	3.000
2"	10.875	12.875	3.125
3"	15.375	18.375	5.000