



UNITED BRASS WORKS, INC.

714 S. Main St., Randleman, NC 27317

Tel: 800-334-3035 Fax: 800-498-4696 www.ubw.com

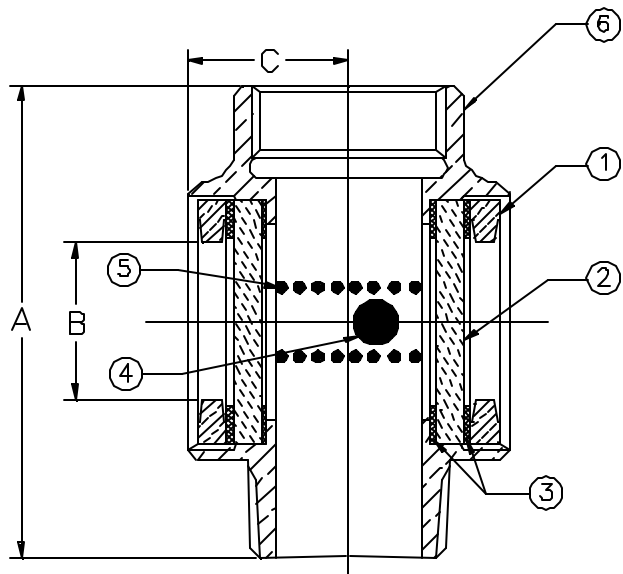


Model 70TTSLB High Pressure Flow Indicator With PTFE Seals, Tempered Soda Lime Glass, & Activity Signal

100% Pressure Tested
Male X Female Configuration

MATERIAL LIST

NO.	DESCRIPTION	MATERIAL
1	Ring	Brass
2	Glass	Tempered Soda Lime
3	Gasket	PTFE
4	Ball	Nylon
5	Spring	Stainless Steel
6	Body	Bronze



Size	¾"	1"	1 ¼"	1 ½"	2"	2 ½"	3"***
Operating Pressure (PSI) ***	125	125	125	85	85	85	40
A	4.00	4.00	4.00	6.19	6.19	6.38	3.88
B	1.63	1.63	1.63	2.43	2.43	2.43	2.91
C	1.69	1.69	1.75	2.25	2.25	2.25	2.52
Ship Wgt. (lbs)	1.37	1.50	1.50	4.69	4.56	5.25	8.25
Qty. Unit Pack	4	4	4	2	2	1	1
Unit Per Case	40	40	40				

** 3" Double Female Only

*** Higher Pressure Glass Available As Special