



# UNITED BRASS WORKS, INC.

714 S. Main St., Randleman, NC 27317

Tel: 800-334-3035 Fax: 800-498-4696 www.ubw.com



## Model 81T Globe Valve

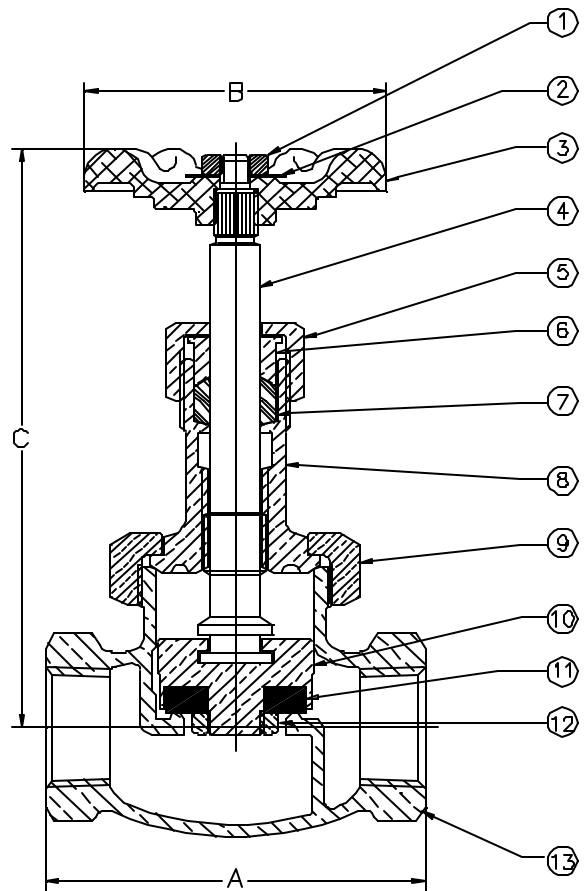
Conforms with MSS-SP80-97

200 lbs. WSP @ 406° Max

400 lbs. WOG • 100% Pressure Tested

Threaded Ends • Rising Stem • Integral Seat

Swivel Disc Holder • PTFE Disc



### MATERIAL LIST

NO.	DESCRIPTION	MATERIAL
1	Hex Nut	Steel
2	Marker Disc	Aluminum
3	Hand Wheel	Aluminum
4	Stem	Bronze
5	Packing Nut	Brass
6	Packing Gland	Bronze
7	Packing	NAFG
8	Bonnet	Bronze
9	Bonnet Nut	Bronze
10	Disc Holder	Bronze
11	Disc	PTFE
12	Disc Nut	Brass
13	Body	Bronze

Size	1/8"	1/4"	3/8"	1/2"	3/4"	1"	1 1/4"	1 1/2"	2"
A	2.11	2.11	2.33	2.63	3.06	3.78	4.31	4.75	5.81
B	1.73	1.73	2.13	2.42	2.78	3.00	3.72	3.72	4.38
C - Closed	3.81	3.81	4.59	4.59	5.13	6.00	6.94	7.63	8.44
C - Open	4.00	4.00	4.81	5.19	5.56	6.56	7.50	8.33	9.25
Ship Wt. (lbs.)	0.81	0.81	1.06	1.50	2.00	3.37	5.19	7.00	11.19
Qty. Per Ctn.	12	12	12	12	6	6	4	2	2