



# UNITED BRASS WORKS, INC.

714 S. Main St., Randleman, NC 27317

Tel: 800-334-3035 Fax: 800-498-4696 www.ubw.com

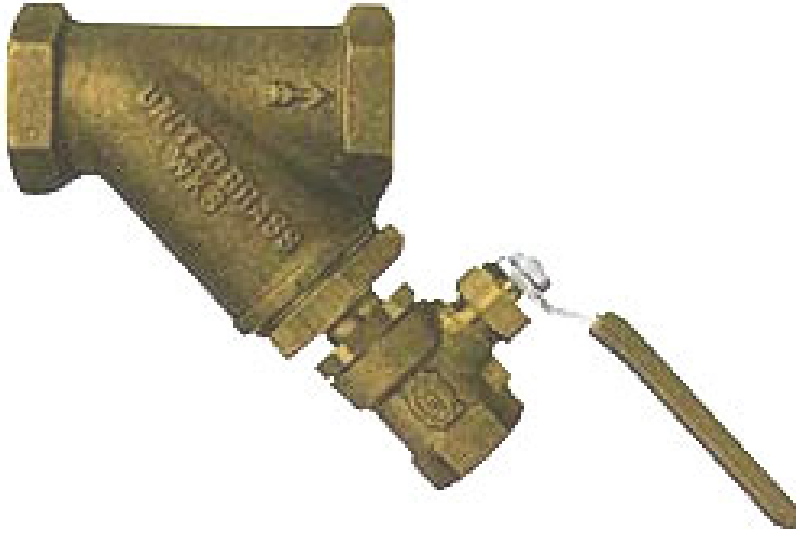


## Model 200BV Strainer With Ball Valve

200 WSP @ 406 ° Max  
400 WOG

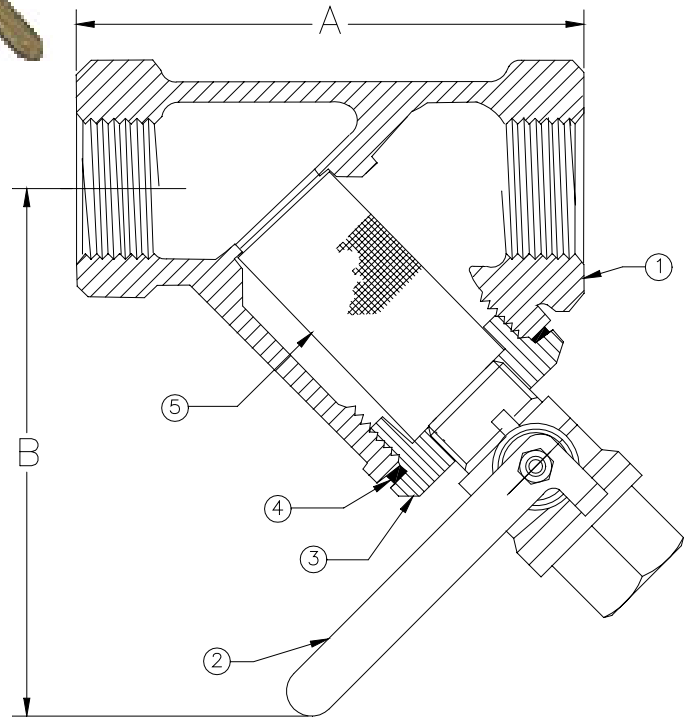
100% Pressure Tested  
Threaded Ends

*All Available in 24, 50 or 100 Mesh.*



### MATERIAL LIST

NO.	DESCRIPTION	MATERIAL
1	Body	Bronze
2	Ball Valve	See Spec for 80MXF
3	Cap	Brass
4	Gasket	Copper
5	Screw	Stainless Steel



Size	1/4"	3/8"	1/2"	3/4"	1"	1 1/4"	1 1/2"	2"
A	2.73	2.72	2.84	3.41	3.94	5.41	6.81	8.19
B	4.65	4.80	4.80	5.00	5.30	7.60	7.20	7.50
Qty. Per Ctn.	6	6	6	6	2	2	2	2