

Bi-Metal Thermometer



Description & Features:

- A general purpose, versatile 1" to 6" dial, 304 Stainless Steel thermometer
- Hermitically sealed case
- Bi-metallic sensing element for reliable readings
- Back, bottom or adjustable angle connection
- Stem length from 2.5" and up
- Grade 1A Accuracy (1%)
- Anti-parallax dial that reduces operator reading errors
- Re-zero adjustment screws are standard on the 2" to 6" dials

Applications:

- Industrial process, Food processing and wastewater.

(* For pressures above 125 psi (861 kPa) it is recommended that a Winters Thermowell be used in conjunction with the Bi-Metal Thermometer.)

**Not available on 1" Pocket & 2" laboratory thermometer.

Specifications

Dial:	2" (50mm), 3" (75mm), 4" (100mm) 5" (125mm) and 6" (152mm) dials, aluminum with black markings, dished shaped
Case:	AISI 304 stainless steel
Lens:	Glass standard, hermetically sealed
Ring:	AISI 304 stainless steel
Pointer:	Brass, painted black
Movement:	Bi-metallic coil
Stem:	AISI 304 stainless steel, center back, bottom or adjustable angle configurations (note: 2" (50mm) dial only available with center back connection)
Connection:	1/4" NPT standard for 2" (50mm) dial 1/2" NPT standard for 3" (75mm), 4" (100mm) and 5" dials (125mm)
Welding:	TIG
Recalibrator:	Standard**
Maximum Operating Pressure:	125 psi (861 kPa)*
Ambient Temperature:	-58°F to 248°F (-50°C to 120°C)
Operating Temperature:	Recommended maximum 75% of Full scale value
Accuracy:	± 1% full scale (Grade 1A)
Enclosure Rating:	IP65



Bi-Metal Thermometer

How to order: Specify product code

Product Codes				
Dial Size	Stem length	Fixed Center Back	Bottom	Adjustable Angle
1" (25mm) (Pocket thermometer)	5" (125mm)	T10050	N/A	N/A
2" (50mm) (Lab thermometer)	8" (200mm)	T20080	N/A	N/A
2" (50mm)	2 1/2" (63mm)	T20025	N/A	N/A
	4" (100mm)	T20040	N/A	N/A
	6" (150mm)	T20060	N/A	N/A
	9" (225mm)	T20090	N/A	N/A
	12" (300mm)	T20120	N/A	N/A
3" (75mm)	2 1/2" (63mm)	T30025	T31025	T32025
	4" (100mm)	T30040	T31040	T32040
	6" (150mm)	T30060	T31060	T32060
	9" (225mm)	T30090	T31090	T32090
	12" (300mm)	T30120	T31120	T32120
4" (100mm)	2 1/2" (63mm)	T40025	T41025	T42025
	4" (100mm)	T40040	T41040	T42040
	6" (150mm)	T40060	T41060	T42060
	9" (225mm)	T40090	T41090	T42090
	12" (300mm)	T40120	T41120	T42120
5" (125mm)	2 1/2" (63mm)	T50025	T51025	T52025
	4" (100mm)	T50040	T51040	T52040
	6" (150mm)	T50060	T51060	T52060
	9" (225mm)	T50090	T51090	T52090
	12" (300mm)	T50120	T51120	T52120
6" (150mm)	2 1/2" (63mm)	T60025	T61025	T62025
	4" (100mm)	T60040	T61040	T62040
	6" (150mm)	T60060	T61060	T62060
	9" (225mm)	T60090	T61090	T62090
	12" (300mm)	T60120	T61120	T62120

Products shown in **BOLD** are normally in stock.

Available Ranges					
F & C (Dual)	Code #	F only	Code #	C Only	Code #
-100/150°F / -70/ 70°C	B1	-40/120°F	B14	-80/50°C	B26
-40/120°F / -40/ 50°C	B2	-40/160°F	B15	-50/50°C	B27
0/140°F / -20/ 60°C	B3	0/140°F	B16	0/50°C	B28
-40/160°F / -40/ 70°C	B4	0/200°F	B17	-50/100°C	B29
25/125°F / - 5/ 50°C	B5	20/240°F	B18	0/100°C	B30
0/200°F / -20/ 90°C	B6	0/250°F	B19	-20/120°C	B31
20/240°F / - 5/115°C	B7	50/300°F	B20	0/150°C	B32
0/250°F / -20/120°C	B8	50/400°F	B21	0/200°C	B33
50/300°F / 10/150°C	B9	50/550°F	B22	0/300°C	B34
50/400°F / 10/200°C	B10	150/750°F	B23	0/450°C	B35
50/500°F / 10/260°C	B11	0/800°F	B24	100/550°C	B36
150/750°F / 100/400°C	B12	200/1000°F	B25		
200/1000°F / 100/540°C	B13				

Options Suffix:

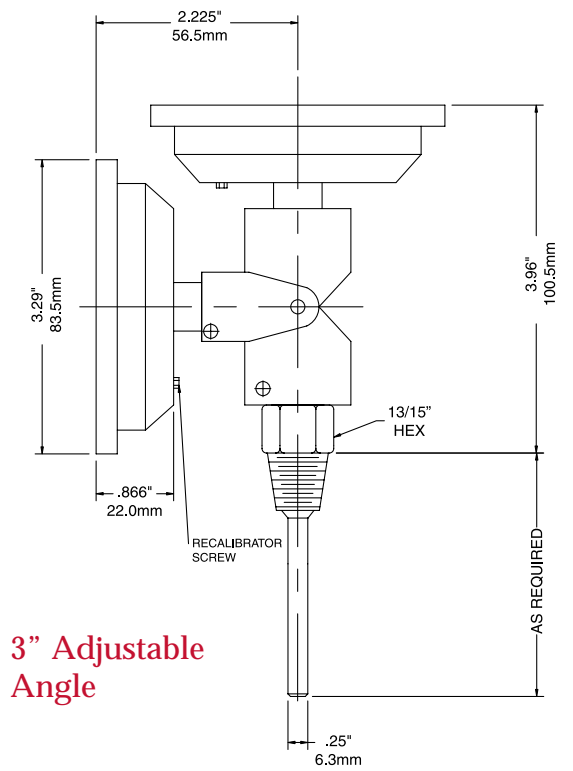
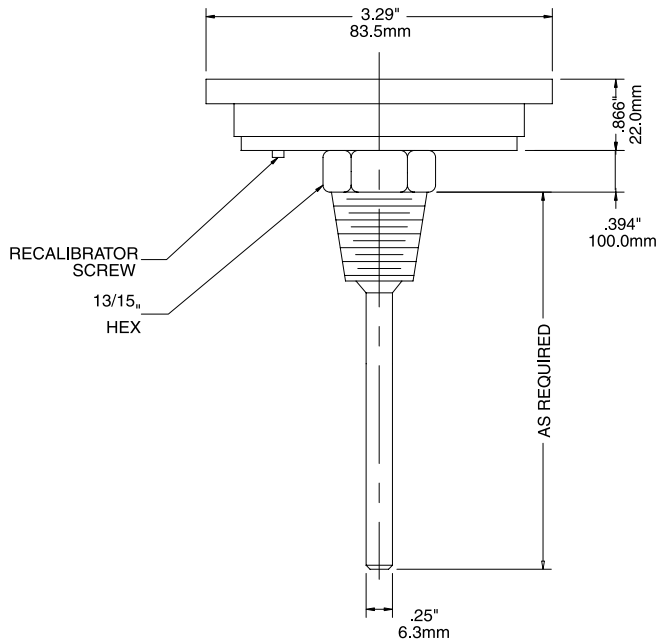
- AP3 = 3" Acrylic lens ● AP4 = 4" Acrylic lens ● AP5 = 5" Acrylic lens ● AP6 = 6" Acrylic lens ● BG3 = 3" Glycerin Filling
 - BG4 = 4" Glycerin Filling ● BG5 = 5" Glycerin Filling ● BG6 = 6" Glycerin Filling ● DUCT = Aluminum Duct Flange
 - SPG3 = 3" Shatterproof glass lens ● SPG5 = 5" Shatterproof glass lens ● 6" models flat dial only ● SCK = Socket Conversion Kit
- * For pressures above 125 psi (861 kPa) it is recommended that a Winters Thermowell be used in conjunction with the Bi-Metal Thermometer.
- Longer stem lengths are available. ● Silicone fill is available ● Other ranges, connections and stem lengths are available upon request



Bi-Metal Thermometer

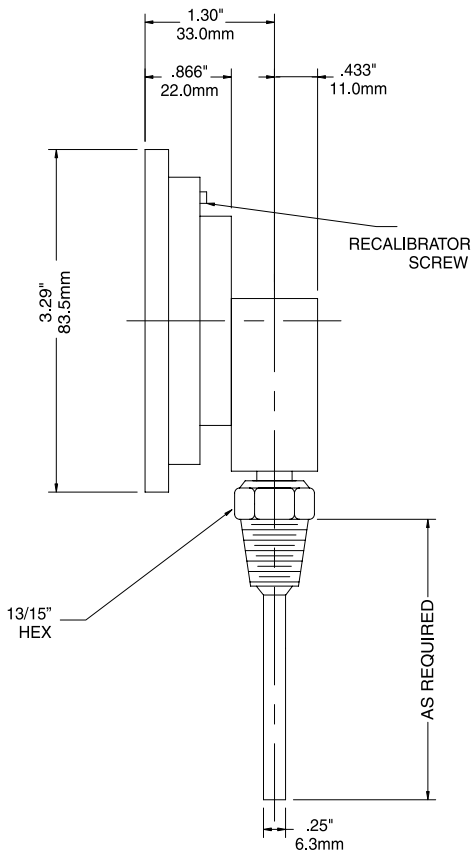
Thermometers

3" Back Connection

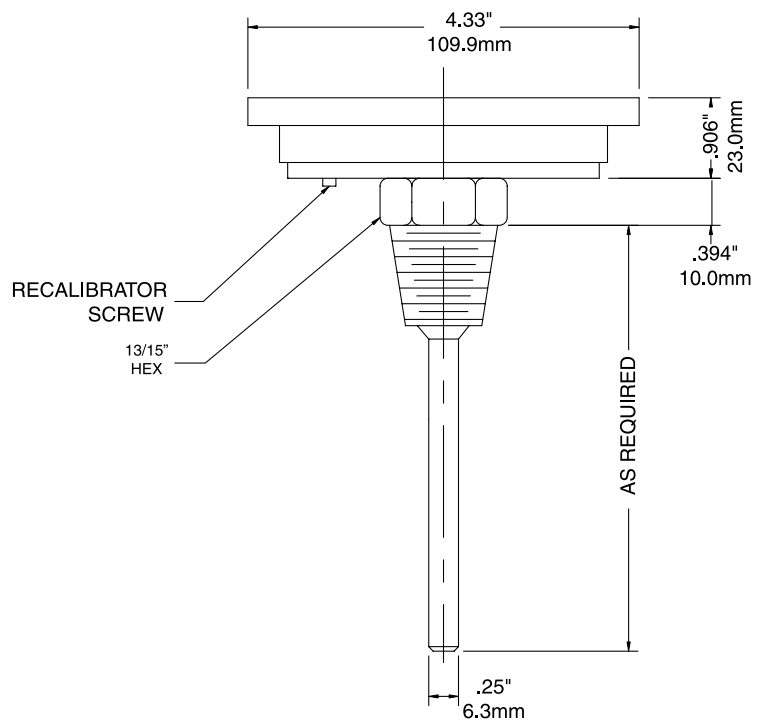


3" Adjustable Angle

3" Bottom Connection

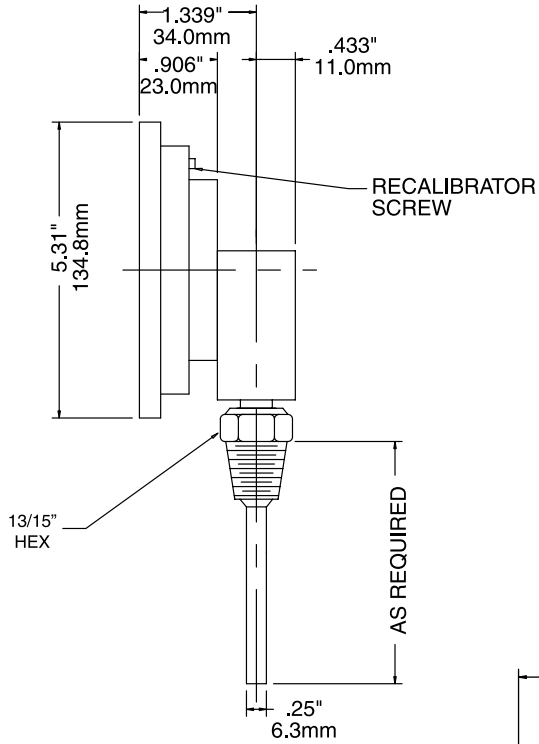


4" Back Connection

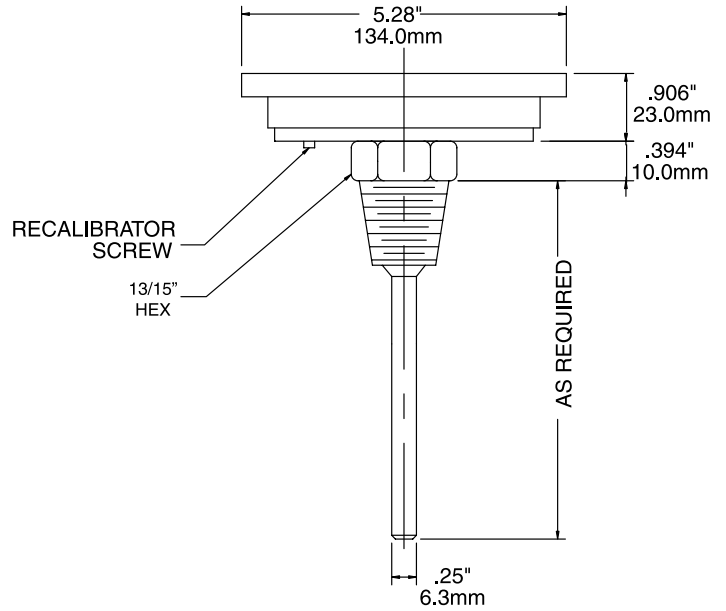


Bi-Metal Thermometer

5" Bottom Connection



5" Back Connection



5" Adjustable Angle

