



UNITED BRASS WORKS, INC.
 714 S. Main St., Randleman, NC 27317
 Tel: 800-334-3035 Fax: 800-498-4696 www.ubw.com

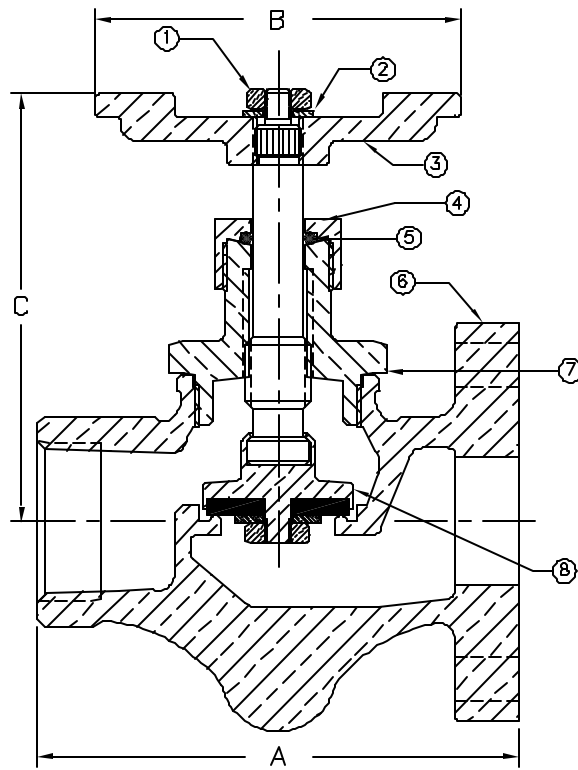


Model 127TNGB Globe Valve

200 WOG • 100% Pressure Tested
Flanged Inlet x Threaded Outlet
ANSI Standard 150 Flange
No Gasket Groove • PTFE Disc • Bronze Hand Wheel

MATERIAL LIST

| NO. | DESCRIPTION | MATERIAL |
|-----|------------------------------|-----------------|
| 1 | Nut | Steel |
| 2 | Washer | Brass |
| 3 | Hand Wheel | Bronze |
| 4 | O-Ring Nut | Brass |
| 5 | O-Ring | Buna |
| 6 | Body | Bronze |
| 7 | Bonnet 1" Bonnet 1½" - 2" | Brass Bronze |
| 8 | Stem & Disc Assembly | Brass |



| Size | A | B | C (Open) | C (Closed) | Bolt Circle | Bolt Hole | Weight |
|------|------|------|----------|------------|-------------|-----------|--------|
| 1" | 3.81 | 2.94 | 3.75 | 3.31 | 3.13 | 0.625 | 3.93 |
| 2" | 5.69 | 3.75 | 6.13 | 5.63 | 4.75 | 0.750 | 11.10 |