

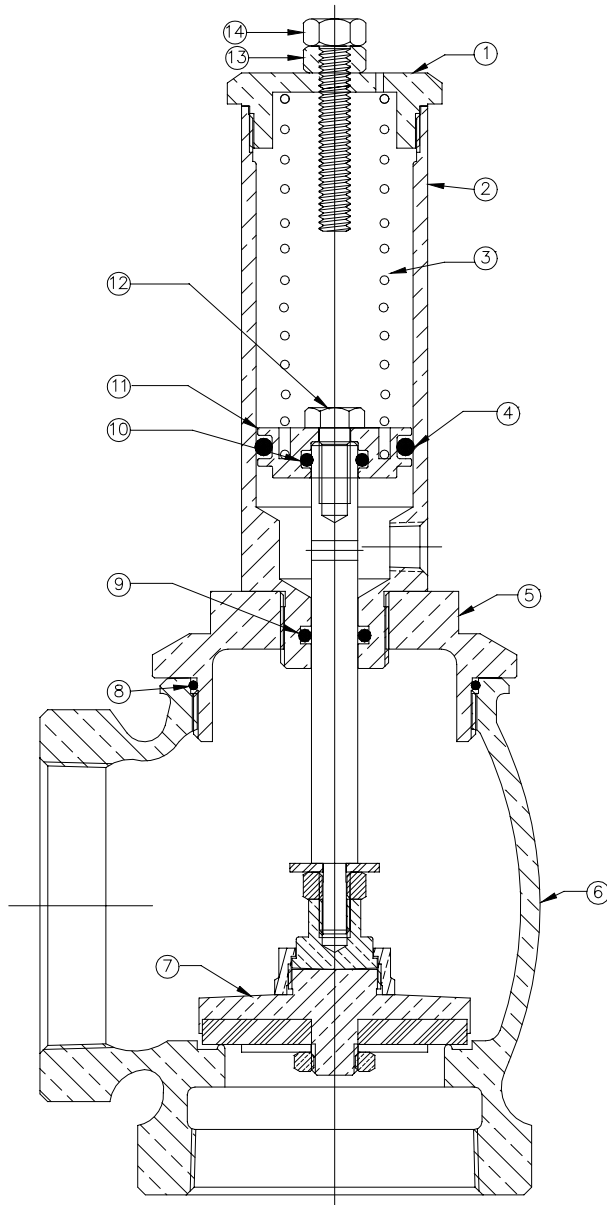


UNITED BRASS WORKS, INC.
714 S. Main St., Randleman, NC 27317
Tel: 800-334-3035 Fax: 800-498-4696 www.ubw.com



Model VC200 2" Air Vacuum Valve

80 PSI Air Required For Operation



MATERIAL LIST

NO.	DESCRIPTION	QTY.
1	VC25A – Cap	1
2	VC2007 - Cylinder	1
3	VC2009 – Spring	1
4	186814 – O-Ring 214ILV	1
5	VC2001 - Cap	1
6	126J – 2" Body	1
7	VC2008 – Stem / Disc Assembly	1
8	701535 – O-Ring 034	1
9	702610 – O-Ring 110VT	1
10	850321 – O-Ring 110VT	1
11	VC200PNC – 2" Piston	1
12	V177 – Cap Screw	1