

SMS FLATSCREEN L ST KIT

UPDATED!



If you want to add an extra screen to your bracket you will need an extra swivel & tilt handle for each additional screen.
As the description implies it will make your screen swivel and tilt.

EXTRA SWIVEL & TILT HANDLES FOR LIGHTER SCREENS SUITABLE FOR:

SMS Flatscreen WL ST800
SMS Flatscreen WL ST1200
SMS Flatscreen WL ST1800
SMS Flatscreen CL ST400
SMS Flatscreen CL ST800
SMS Flatscreen CL ST1200
SMS Flatscreen CL ST1800
SMS Flatscreen FL ST800
SMS Flatscreen FL ST1200

- | | | | |
|-------------------------------|--|--|--------------------------------|
| <input type="radio"/> Ceiling | <input type="radio"/> Heavy weight | <input type="radio"/> Fixed | <input type="radio"/> Variable |
| <input type="radio"/> Wall | <input type="radio"/> Middle weight | <input checked="" type="radio"/> Swivel | <input type="radio"/> UniSlide |
| <input type="radio"/> Floor | <input checked="" type="radio"/> Light weight | <input checked="" type="radio"/> Tilt | <input type="radio"/> Hidden |
| <input type="radio"/> Table | | <input type="radio"/> 3D | <input type="radio"/> Double |
| | | <input type="radio"/> Mobile | |

SMS FLATSCREEN L ST KIT

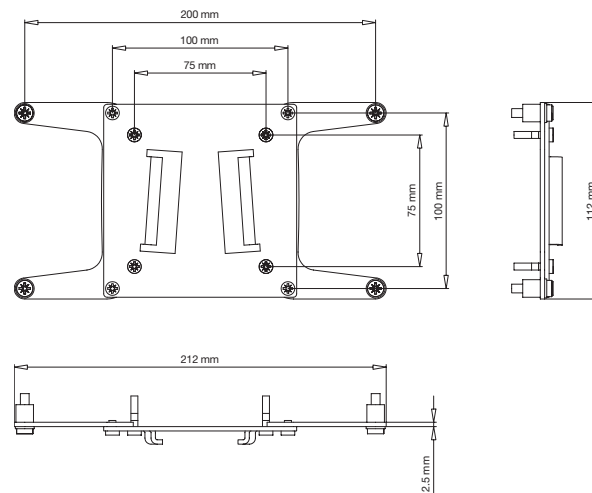
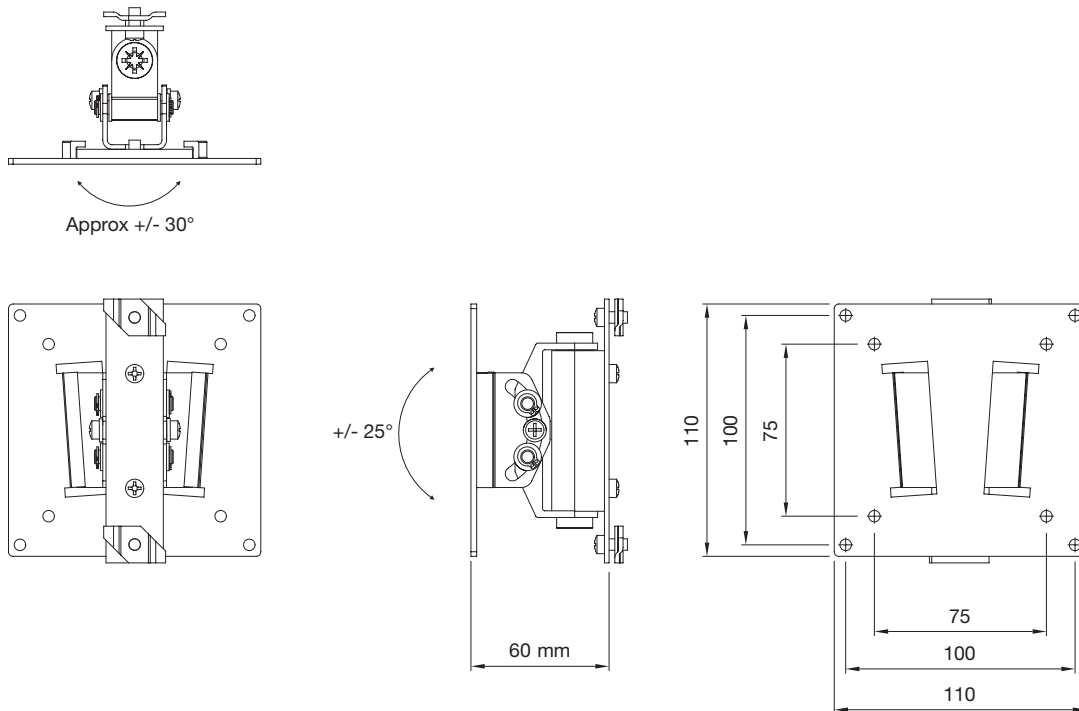
INFO

- Color: Silver
- Max load: 15 kg
- Swivel & Tilt: The screen can be swiveled approx +/- 30° and tilted +/- 25° (depending on the size of the screen).

ART. NO
FS040011

DESCRIPTION
SMS Flatscreen L ST Kit Silver

Note: Vesa plate 75x75/100x100/200x100 mm is included.



www.SmartMediaSolutions.se