

SMS PROJECTOR WL F



Dependability and reliability.

SMS Projector WL F is a wall-mounted bracket for lighter projectors. A sleek and reliable bracket for projectors up to 12 kg. The projector is mounted on top of the WL F – it's ideal if your projector cannot be mounted upside down.

- | | | | |
|--|--|---|--------------------------------|
| <input type="radio"/> Ceiling | <input type="radio"/> Heavy weight | <input checked="" type="radio"/> Fixed | <input type="radio"/> Variable |
| <input checked="" type="radio"/> Wall | <input type="radio"/> Middle weight | <input type="radio"/> Swivel | <input type="radio"/> UniSlide |
| <input type="radio"/> Floor | <input checked="" type="radio"/> Light weight | <input type="radio"/> Tilt | <input type="radio"/> Hidden |
| <input type="radio"/> Table | | <input type="radio"/> 3D | <input type="radio"/> Double |
| | | <input type="radio"/> Mobile | |

SMS PROJECTOR WL F

INFO

Color: Aluminum/silver or aluminum/black.

Max load: 12 kg

Weight: 4,5 kg

Length: 400 mm (pillar).

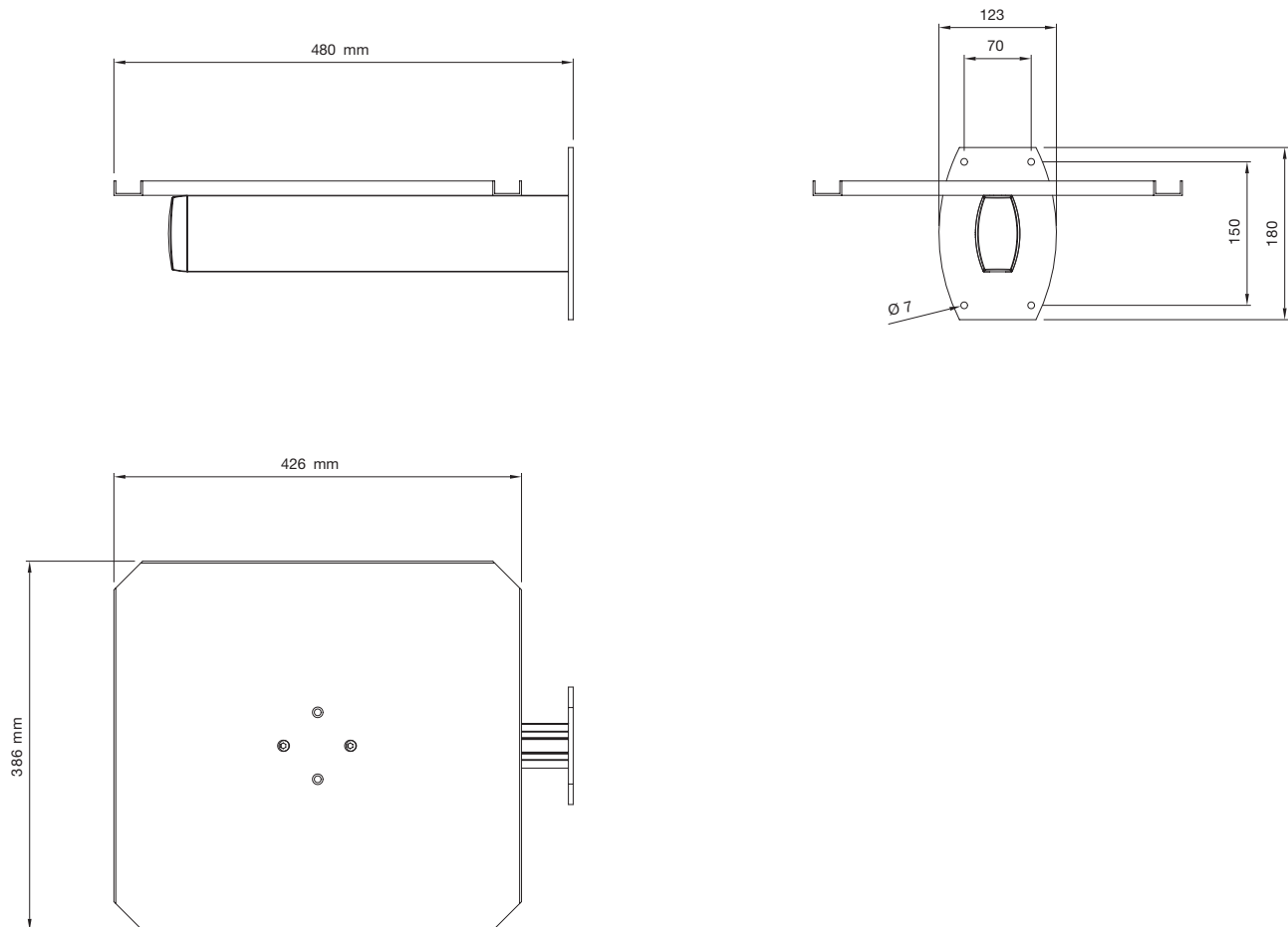
Plate: 380x420 mm (or 420x380 mm).

Adjustable: The plate can be moved variously along the pillar.

ART. NO DESCRIPTION

AE013003 SMS Projector WL F Aluminum/black incl Plate 380x420 mm

AE013004 SMS Projector WL F Aluminum/silver incl Plate 380x420 mm



SMART MEDIA SOLUTIONS

www.SmartMediaSolutions.se