

Solar Digital Thermometer with Integral RTD/Transmitter



Description & Features:

- A digital thermometer that provides a local temperature reading and 4-20 mA output.
- 304 Stainless Steel case, stem and socket
- Hermetically sealed thermometer case
- 1/2" adjustable angle connection
- 4", 6" and 9" Stem lengths
- Digital 4-20 mA output

Applications:

- Industrial processes, Compressors, Pulp & Paper, Food Processing and Waste Water.

How to order: Specify product code

Products shown in **BOLD** are normally in stock.

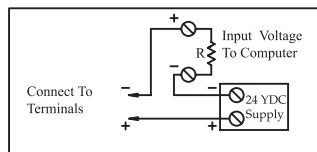
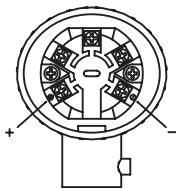
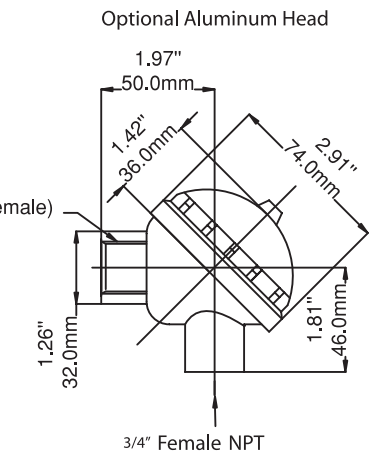
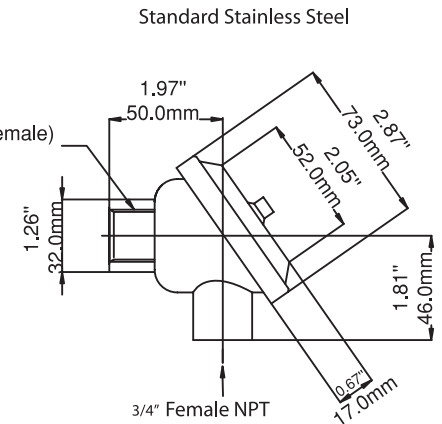
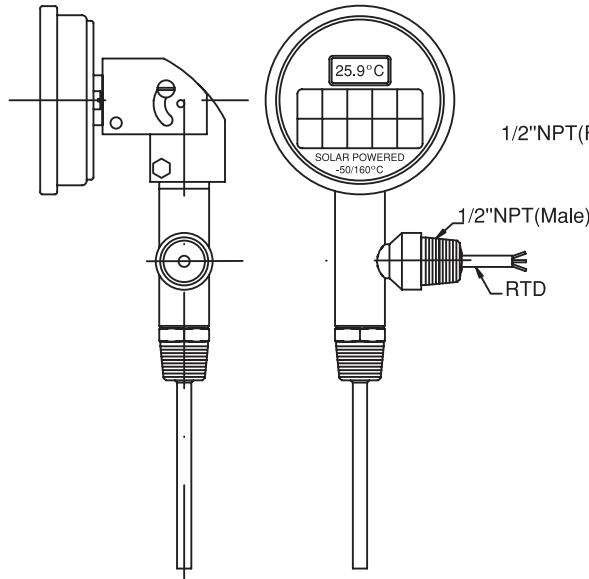
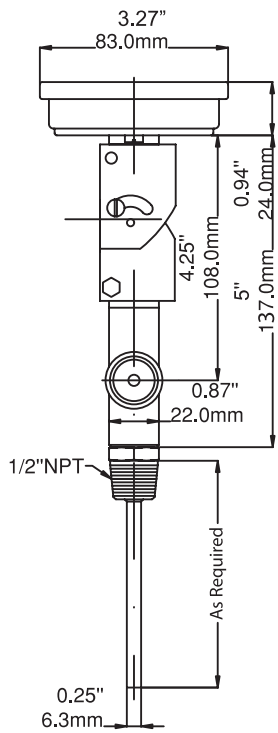
Specifications	
Dial:	3" (75mm)
Case:	AISI 304 stainless steel
Lens:	Glass
Power Supply:	Solar Panel with lithium battery backup
Ring:	AISI 304 stainless steel
Welding:	TIG
Connection:	1/2" NPT, fully adjustable
Accuracy:	1%
Enclosure:	IP50
Other:	Ambient temperature: -58°F to 140°F (-50°C to 60°C) Process temperature: -58°F to 302°F or (-50°C to 150°C)
RTD/Transmitter Specifications	
Accuracy:	±1%
Element:	PT100, 2 wire lead
Transmitter/Head:	4-20mA with stainless steel head

Product Code Chart		
Stem Length	Fully Adjustable	
	-50°F to 320°F	-50°C to 160°C
4" (100mm)	T001	T004
6" (150mm)	T002	T005
9" (225mm)	T003	T006

OPTION SUFFIX:

- A005 = Aluminum head
- Other stem lengths available
- Thermowells on pg.216

Solar Digital Thermometer with Integral RTD/Transmitter



For R=250 ohm

I (mA)	°F	°C
4	-50	-50
20	+320	+160

Accuracy: +/-1% of fullscale.

Thermometers