



UNITED BRASS WORKS, INC.
 714 S. Main St., Randleman, NC 27317
 Tel: 800-334-3035 Fax: 800-498-4696 www.ubw.com



Model 20TWNC Air Cylinder Operated Gate Valve

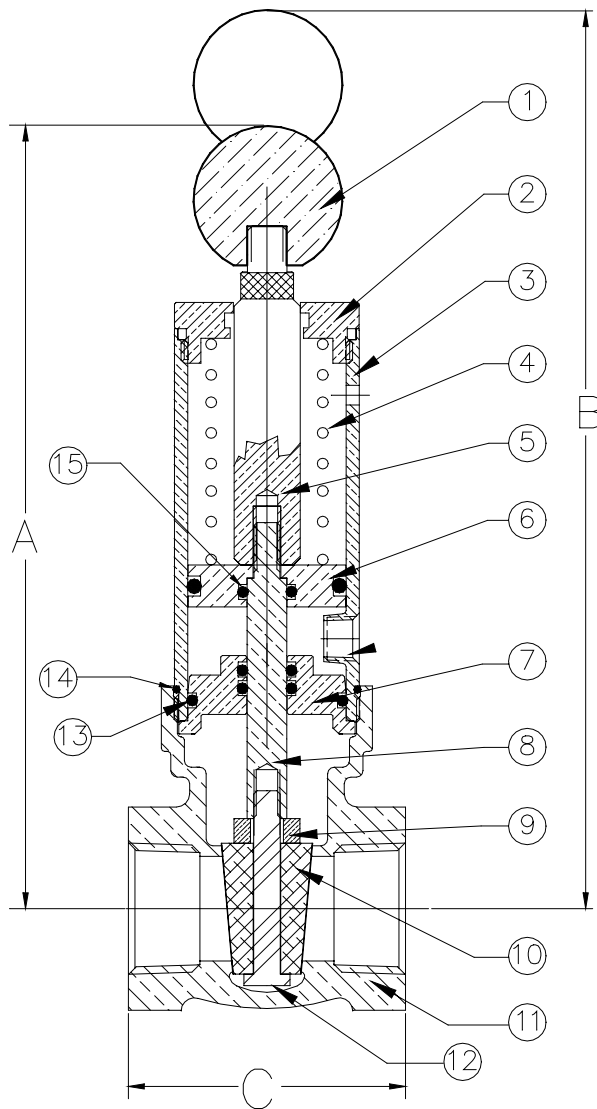
Normally Closed • 150PSI Body Rating 180 ° Max

100% Pressure Tested • Threaded Ends

Rising Stem • PTFE Wedge • 80PSI Air Pressure Required

60PSI Operating Pressure for Standard Configuration.

For other requirements, consult factory.



MATERIAL LIST

NO.	DESCRIPTION	MATERIAL
1	Ball Knob	Plastic
2	Upper Cap	Brass
3	Cylinder	Brass
4	Spring	Steel
5	Upper Stem	Brass
6	Piston Cup	Buna
7	Bottom Cap	Brass
8	Lower Stem	Brass
9	Nut	Brass
10	Wedge	PTFE
11	Body	Bronze
12	Cap Screw	Stainless Steel
13	O-Ring	FKM (Viton)
14	O-Ring	FKM (Viton)
15	O-ring	FKM (Viton)

Size	A Closed	B Open	C Width
1"	7.375	8.500	2.625
1 1/2"	9.625	11.500	3.000
2"	10.875	12.875	3.125
3"	15.375	18.375	5.000