



UNITED BRASS WORKS, INC.
 714 S. Main St., Randleman, NC 27317
 Tel: 800-334-3035 Fax: 800-498-4696 www.ubw.com

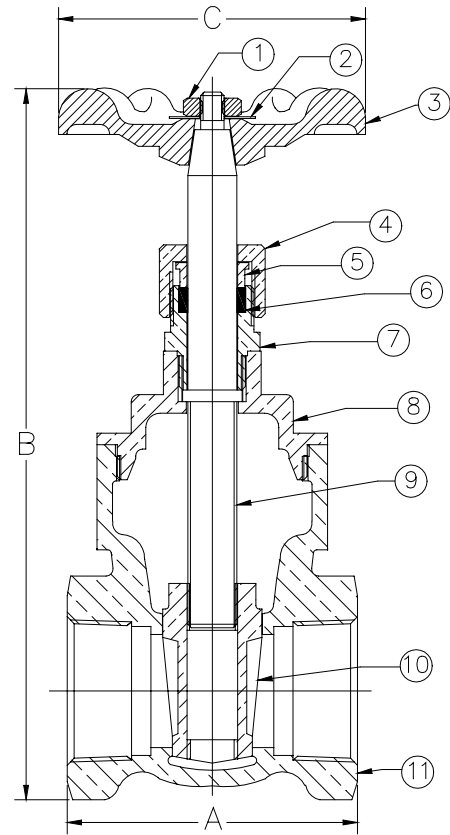


Model 15 Gate Valve (Conforms to MSS-SP-80-97)

125 WSP @ 350 ° Max
200 WOG * 100% Pressure Tested
Threaded Ends * Non-Rising Stem

MATERIAL LIST

NO.	DESCRIPTION	MATERIAL
1	Nut	Steel
2	Marker Disc	Aluminum
3	Hand Wheel	Aluminum
4	Packing Nut	Brass
5	Packing Gland	Brass
6	Packing	NAFG
7	Upper Bonnet	Bronze
8	Lower Bonnet	Bronze
9	Stem	Brass
10	Wedge	Brass
11	Body	Bronze



Size	3/8"	1/2"	3/4"	1"	1 1/4"	1 1/2"	2"	2 1/2"
A	1.80	1.80	2.00	2.65	2.65	2.88	3.25	4.13
B	3.30	3.85	4.15	4.90	5.50	6.00	7.13	4.50
C	1.90	2.00	2.40	2.70	2.85	3.25	3.75	8.50
Ship Wgt. (lbs.)	0.70	0.80	0.90	1.50	2.10	2.80	4.30	9.20
Qty. Per Ctn.	12	12	6	6	4	2	2	2