

## V4943; V4944; V8943; V8944 Diaphragm Gas Valves



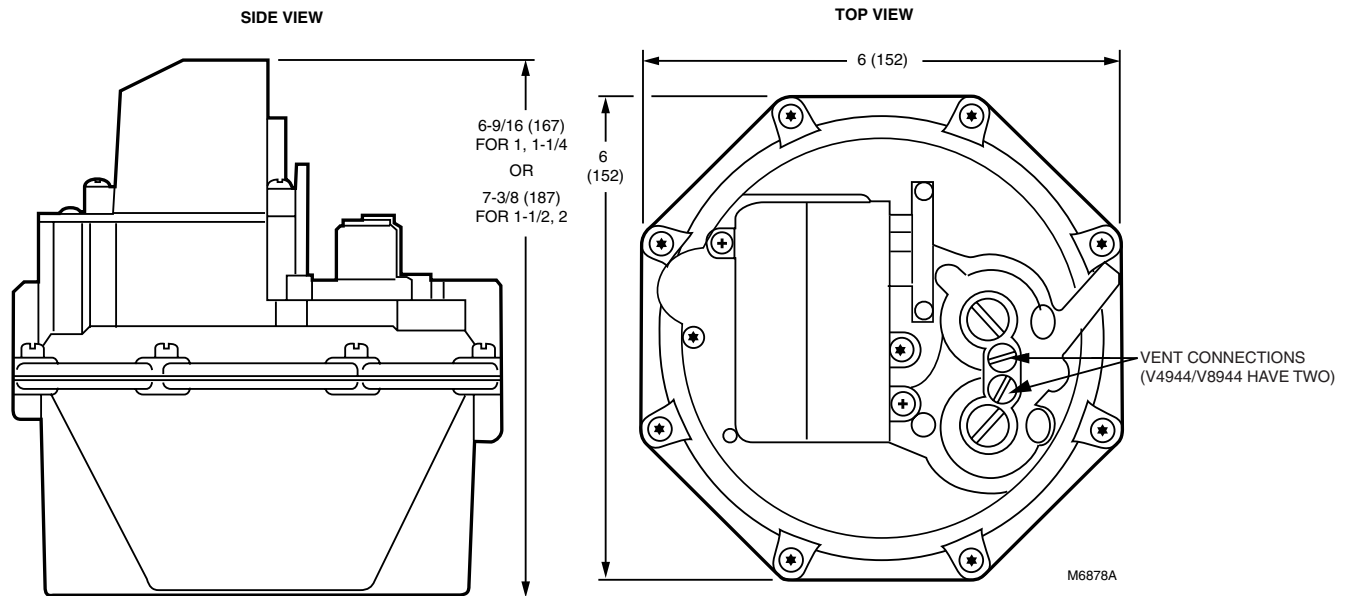
**V4943/V8943A On-Off Diaphragm Gas Valves.**

**V4943/V8943B,C,N Single Stage Pressure Regulating Diaphragm Gas Valves.**

### V4944/V8944B,C,L,N Two-stage Pressure Regulating Diaphragm Gas Valves.

- Designed as replacement for V4843/V8843; V4844/V8844 Gas Valves.
- Suitable for use on atmospheric boilers, commercial water heaters, and rooftop heaters.
- V4943/V8943A models are solenoid-operated diaphragm valves for on-off flow control of fuel gases.
- V4943/V8943B,C,N and V4944/V8944B,C,L,N models are solenoid-operated diaphragm valves that combine the functions of safety shutoff and pressure regulation in a single unit.
- V4943/V8943B,N and V4944/V8944B,N are for use with natural gas.
- V4943/V8943C and V4944/V8944C,L are for use with LP gas.
- Valve body of die-cast aluminum with a straight-through pattern.
- V4943 are used with line voltage, two-wire thermostats or controllers; V8943 are used with 24 Vac thermostats or controllers.
- V4944 are used with line voltage, dual-stage thermostats or controllers; V8944 are used with 24 Vac dual-stage thermostats or controllers.
- Valve closes on power failure; recommended for final shutoff service.

### Dimension Diagrams



**Body Material:** Aluminum

**Electrical Terminations:** 1/4 in. (6 mm) spade terminals (quick-connects). 30 in. (762 mm) leadwires and cover for electrical conduit connection provided.

**Frequency:** 60 Hz

**Ground terminal:** —

**Mounting Type:** Upright (horizontal)

**Temperature Ratings:** -40 F to 150 F (-40 C to 66 C)

**Pressure Ratings:** 1/2 psi (3.4 kPa)

**Pilot Tapping:** 1/8-27 NPT

**Power Consumption:** 6.6 VA

**Valve pattern:** Straight-through, non-offset

**Approvals:**

**Canadian Standards Association:** Certificate No. 158158-1042930, Guide No. 3371-03, 83 (Z21.21, Z21.78)

**Underwriters Laboratories, Inc:** File No. MH1639, Guide No. YIOZ (60 Hz only)

**Regulator Setpoints:**

| Type of Gas | Adjustable Range         |                           | Factory Setting |             |
|-------------|--------------------------|---------------------------|-----------------|-------------|
|             | Low Fire                 | High Fire                 | Low Fire        | High Fire   |
| LP          | 1.4 in. wc to 4.2 in. wc | 8.8 in. wc to 11.5 in. wc | 1.4 in. wc      | 10.0 in. wc |
| Natural     | 0.8 in. wc to 2 in. wc   | 3 in. wc to 4.5 in. wc    | 0.8 in. wc      | 3.5 in. wc  |

### Capacity:

| Pipe size (in.) | AGA Certified 1.0 in. pd Natural Gas cfh | m <sup>3</sup> /hr                                 |
|-----------------|--|--|
| 1 1/2 in.       | 780 cfh to 2300 cfh                      | 22 m <sup>3</sup> /hr to 65 m <sup>3</sup> /hr     |
| 1 1/4 in.       | 480 cfh to 1600 cfh                      | 13.6 m <sup>3</sup> /hr to 45.3 m <sup>3</sup> /hr |
| 1 in.           | 300 cfh to 1000 cfh                      | 8.5 m <sup>3</sup> /hr to 28.3 m <sup>3</sup> /hr  |
| 2 in.           | 870 cfh to 3000 cfh                      | 24.6 m <sup>3</sup> /hr to 84.9 m <sup>3</sup> /hr |

### Current (max amps at rated Vac/Hz):

|              |            |
|--------------|------------|
| <b>V4943</b> | 0.055 amps |
| <b>V4944</b> | 0.077 amps |
| <b>V8943</b> | 0.33 amps  |
| <b>V8944</b> | 0.5 amps   |

### Accessories:

See chart on page 745