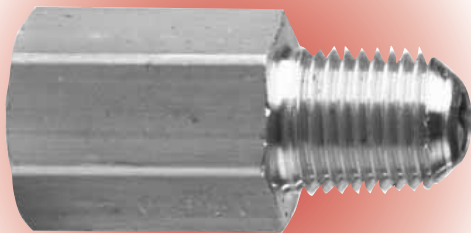


Snubbers



Description

Winters' Snubbers significantly lessen the damaging effects of pulsation on gauges, transducers, transmitters, manometers and pressure switches. Winters' Snubbers incorporate a sintered porous 316 stainless steel snubbing element with a large surface area to ensure long term effectiveness on most pressure media.

Winters' Snubbers are available in the three standard viscosity classifications of heavy oil, water and air. Brass or stainless steel housings can be specified depending upon pressure media and operating pressure. The Snubbers are also **CRN registered**

How to order: Specify product code
Products shown in BOLD are normally in stock.

PRODUCT CODES

PRESSURE SNUBBERS			
Model	Heavy Oil	Water	Air
1/4" Brass	A517	A515	A516
1/4" St/St	A520	A518	A519
1/2" Brass	A514	A512	A513
1/2" St/St	A531	A529	A530

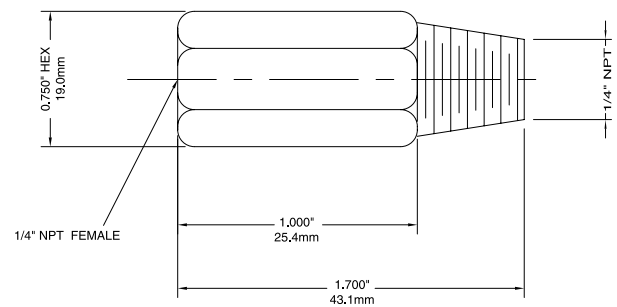
Stainless Steel Specifications

Operating Temperature:	-320°F to 1,500°F (-195°C to 815°C)
Operating Pressure:	Maximum 20,000 psi (137,900 kPa)
Burst Pressure:	300 series stainless steel
Housing:	Sintered, porous type 316 stainless steel
Snubbing Element:	300 series stainless steel
Retainer:	300 series stainless steel

Brass Specifications

Operating Temperature:	-65°F to 650°F (-53°C to 343°C)
Operating Pressure:	Maximum 10,000 psi (68,950 kPa)
Burst Pressure:	Brass
Housing:	Sintered, porous type 316 stainless steel
Snubbing Element:	300 series stainless steel
Retainer:	300 series stainless steel

1/4" Snubber



1/2" Snubber

