

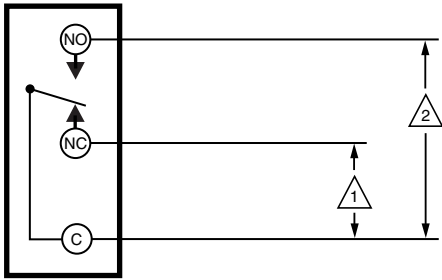
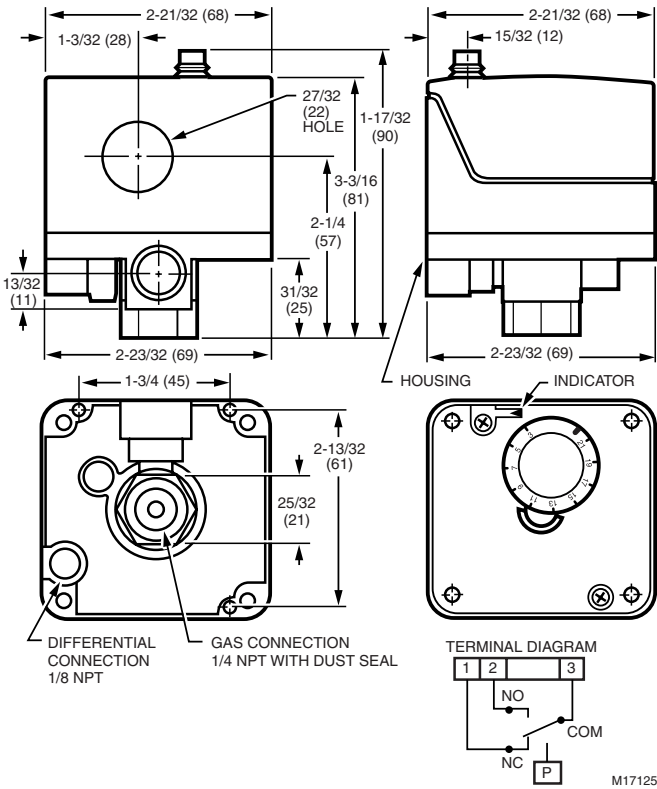
C6097 Pressure Switch



The C6097 Pressure Switches are safety devices used in positive-pressure or differential-pressure systems to sense gas or air pressure systems.

- For use with natural gas, liquid propane (LP) gas, or air.
- Diaphragm-actuated safety-limit switch.
- Switch can be wired to turn on alarm.
- C6097A models break control circuit at setpoint on pressure fall.
- C6097B models break control circuit at setpoint on pressure rise.
- Lockout with manual reset and recycle options.
- Lockout models have external manual reset button.
- Removable transparent cover protects scaleplate and adjusting knob.
- Pipe tappings allow selection of positive pressure (air only) or venting connections (NPT mount only).
- 1/4 in. NPT or flange mount models for direct mounting to Honeywell Integrated Valve Train.
- Optional switch position indicator lamp available.
- IP54 enclosure standard.
- Ranges: 0.4 to 5 in.wc, 3 to 21 in.wc, 12 to 60 in.wc or 1.5 to 7 psi.
- Surge orifice.

Dimension Diagrams



- 1 C6097A BREAKS C-NO, MAKES C-NC ON PRESSURE FALL. MANUAL RESET MODELS LOCK OUT.
 - 2 C6097B BREAKS C-NC, MAKES C-NO ON PRESSURE RISE AND LOCKS OUT.
- M17123

Application: Safety devices used in positive-pressure or differential-pressure systems to sense gas or air pressure changes

Differential Type: Additive

Mounting: 1/4 in. NPT internal thread

Piping Connections, Vent or Low pressure: 1/8 in. NPT internal thread

Temperature Ratings: -40 F to 140 F (-40 C to 60 C)

Approvals:

Canadian Standards Association: Certified

Industrial Risk Insurers: Acceptable

Factory Mutual: Approved

Other: CSD-1 AFB: Acceptable

Switch Contact Ratings:

120 Vac	240 Vac
3.0 AFL, 18.0 ALR, 5.0 A resistive	3.0 AFL, 18.0 ALR, 5.0 A resistive