

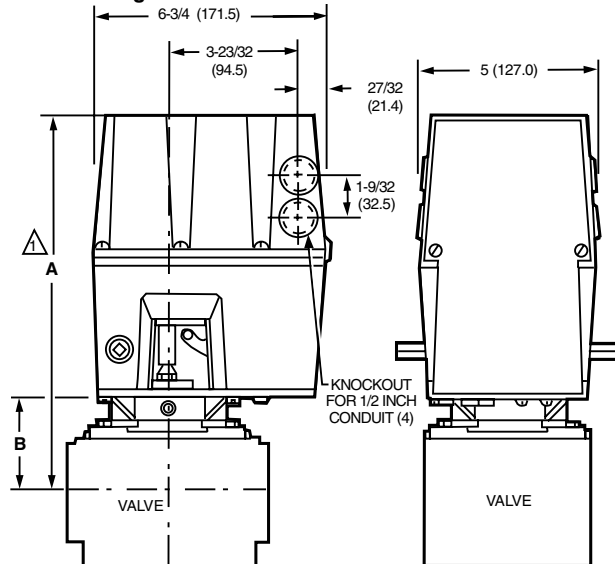
V4062 Off-Lo-Hi Fluid Power Gas Valve Actuators



Control gas supply for commercial and industrial burners. Valve opens to low fire position when power is applied; valve opens all the way on demand.

- Provide final safety shutoff service when used with V5055 valve.
- One-second maximum closing time.
- Continuously displays the valve position with a red indicator when open and a yellow indicator when closed.
- Mount in any position directly to valve bonnet with three setscrews.
- Use with Q5055A Adapter Assembly to replace ITT General V710 gas valves.

Dimension Diagrams



△ ALLOW 4 IN. (101.6 MM) CLEARANCE FOR ACTUATOR REMOVAL.

VALVE SIZE INCH	V5055		V5097		V5055		V5097	
	DIM A IN.	DIM B MM	DIM A IN.	DIM B MM	DIM A IN.	DIM B MM	DIM A IN.	DIM B MM
3/4	11-1/8	282.6	2-3/4	69.9	11-1/8	283	2-3/4	70
1	11-1/8	282.6	2-3/4	69.9	11-1/8	283	2-3/4	70
1-1/4	11-1/8	282.6	2-3/4	69.9	11-1/8	283	2-3/4	70
1-1/2	11-1/8	282.6	2-3/4	69.9	11-1/8	283	2-3/4	70
2	11-1/4	285.8	2-7/8	73.0	11-3/4	298	3-3/8	86
2-1/2	11-3/4	298.5	3-3/8	85.7	11-3/4	298	3-3/8	86
3	11-3/4	298.5	3-3/8	85.7	11-3/4	298	3-3/8	86
4	14-1/8	358.8	5-13/16	147.6	—	—	—	—

M10981

Temperature Ratings: -40 F to +150 F (-40 C to +66 C)

Contact Ratings:

Auxiliary Switch		Proof of Closure (Factory Mutual) Switch	
120 Vac	120 Vac	120 Vac	120 Vac
9.8 AFL, 58.8 ALR, 1/2 hp	4.9 AFL, 29.4 ALR, 1/2 hp	9.8 AFL, 58.8 ALR, 1/2 hp	4.9 AFL, 29.4 ALR, 1/2 hp

Accessories:

7616BR Crank Arm assembly with clip for Damper Arm of V4055, V4062 or V9055

Product Number	Damper Shaft	Electrical Ratings (Vac)	Electrical Ratings (Hz)	Installed Switches		Maximum Operating Pressure	Timing		Description
				Auxiliary	Proof of Closure		Closing < 1 sec	Opening	
V4062A1008	Yes	120 Vac	60 Hz	No	No	5 psi	Yes	26 sec	HI-LO-OFF actuator for use with V5055B and V5097B valve bodies. Low pressure.
V4062A1123	Yes with return spring installed.	120 Vac	60 Hz	Yes	No	5 psi	Yes	26 sec	HI-LO-OFF actuator for use with V5055B and V5097B valve bodies. Low pressure.
V4062A1131	Yes	120 Vac	60 Hz	No	No	5 psi	Yes	13 sec	HI-LO-OFF actuator for use with V5055B and V5097B valve bodies. Low pressure.
V4062A1156	No	120 Vac	60 Hz	No	No	5 psi	Yes	26 sec	HI-LO-OFF actuator for use with V5055B and V5097B valve bodies. Low pressure.
V4062A1198	Yes with return spring installed.	120 Vac	60 Hz	Yes - adjusted to 90 degree stroke	No	5 psi	Yes	13 sec	HI-LO-OFF actuator for use with V5055B and V5097B valve bodies. Low pressure.
V4062D1010	Yes	120 Vac	60 Hz	No	Yes	5 psi	Yes	13 sec	HI-LO-OFF actuator for use with V5055B and V5097B valve bodies. Low pressure.