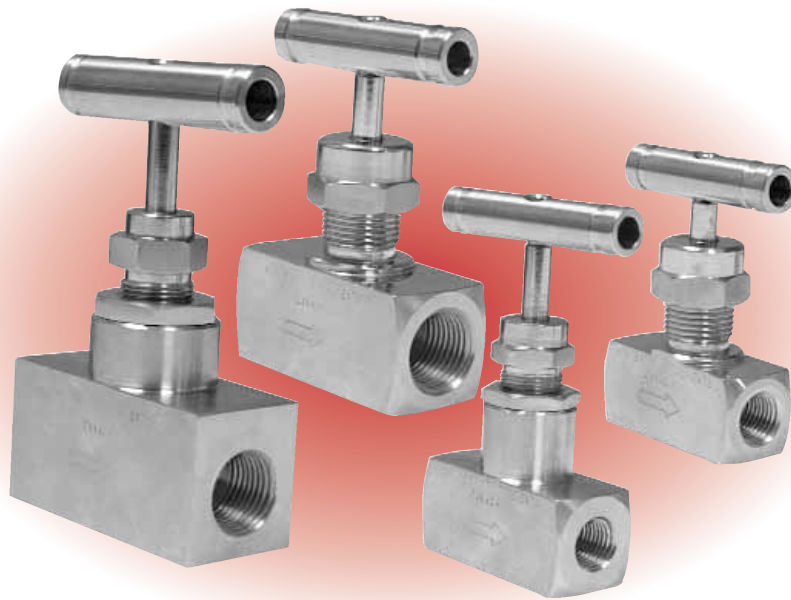


# Stainless Steel Needle Valve



## Description

Winters Stainless Steel Needle Valve construction provides corrosion resistance, has excellent flow regulation and is leak tight. The one piece body construction (no welding) provides high strength and full safety. This instrument has slow opening which prevents sudden pressure surge and instrument damage.

The Needle Valves are available in Soft Seat (up to 6,000 psi, Delrin Seat) and Hard Seat (up to 10,000 psi, Metal Seat). Hard Seat Needle Valves are also available with a Carbon Steel construction.

Common applications include refineries, liquid petroleum gas, processing plant systems difficult to shut off due to solid contents such as dust, rust, dirt, etc.

### How to order: Specify product code

Products shown in **BOLD** are normally in stock.

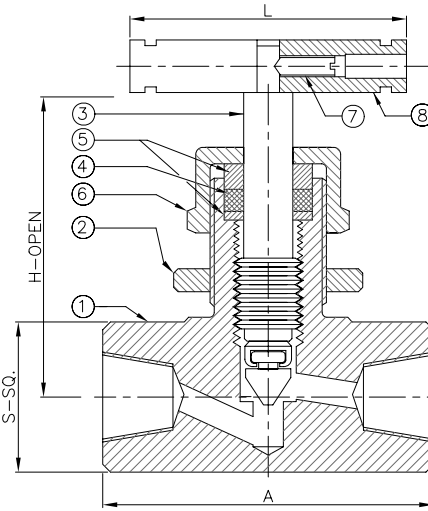
<b>Soft Seat Needle Valve 6,000 psi</b>		
<b>Temperature Rating: -20°F to 250°F (-29°C to 121°C)</b>		
<b>Product Code</b>	<b>Material</b>	<b>NPT Connection</b>
<b>ANV25SFFS</b>	Stainless Steel	1/4" Female x 1/4" Female
<b>ANV5SFFS</b>	Stainless Steel	1/2" Female x 1/2" Female
<b>ANV25SMFS</b>	Stainless Steel	1/4" Male x 1/4" Female
<b>ANV5SMFS</b>	Stainless Steel	1/2" Male x 1/2" Female
<b>Hard Seat Needle Valve 10,000 psi</b>		
<b>Temperature Rating: -65°F to 200°F (-50°C to 93°C)</b>		
<b>Product Code</b>	<b>Material</b>	<b>NPT Connection</b>
<b>ANV25SFFH</b>	Stainless Steel	1/4" Female x 1/4" Female
<b>ANV5SFFH</b>	Stainless Steel	1/2" Female x 1/2" Female
<b>ANV25SMFH</b>	Stainless Steel	1/4" Male x 1/4" Female
<b>ANV5SMFH</b>	Stainless Steel	1/2" Male x 1/2" Female
<b>ANV25CFFH</b>	Carbon Steel	1/4" Female x 1/4" Female
<b>ANV5CFFH</b>	Carbon Steel	1/2" Female x 1/2" Female
<b>ANV25CMFH</b>	Carbon Steel	1/4" Male x 1/4" Female
<b>ANV5CMFH</b>	Carbon Steel	1/2" Male x 1/2" Female

- Other configurations available
- Needle Valves can be supplied to meet current revision of MR-01-75 NACE (Sour gas service)
- Graphoil packaging for high temperature applications available.
- Panel mounting kits available

# Stainless Steel Needle Valve

## Soft Seat Stainless Steel Needle Valve

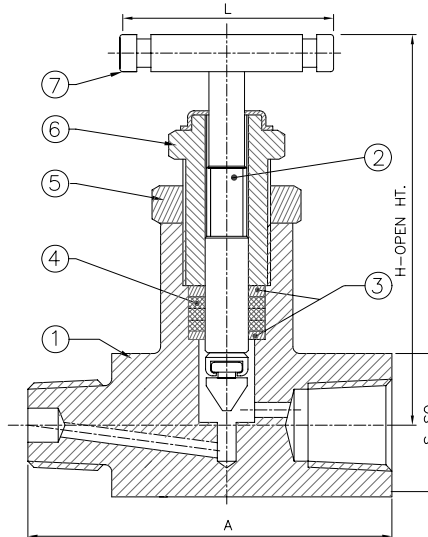
Drawing Number	Description	Material
1	Body:	AISI 316 stainless steel
2	Panel Nut:	AISI 316 stainless steel
3	Stem:	AISI 316 stainless steel
4	Packing:	Teflon®
5	Washer:	AISI 316 stainless steel
6	Gland Nut:	AISI 316 stainless steel
7	Grub Screw:	Steel Plated
8	Handle:	AISI 304 stainless steel
	Seat Material:	Delrin



Size	A	S-SQ	H-Open	L
1/4"	1.95" (50mm)	0.86" (22mm)	2.69" (69mm)	1.95" (50mm)
1/2"	2.65" (68mm)	1.17" (30mm)	3.23" (83mm)	2.34" (60mm)

## Hard Seat Stainless Steel Needle Valve

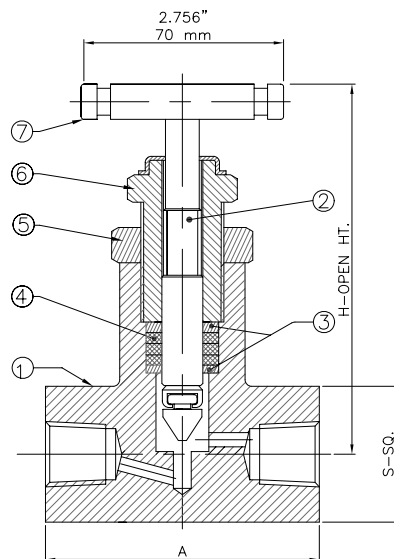
Drawing Number	Description	Material
1	Body:	AISI 316 stainless steel
2	Stem:	AISI 316 stainless steel - Stellited V Tip
3	Packing Washer:	AISI 316 stainless steel
4	Gland Packing:	AISI 316 stainless steel
5	Lock Nut:	AISI 316 stainless steel
6	Gland Retainer:	AISI 316 stainless steel
7	Handle:	AISI 304 stainless steel
7	Dust Cover:	Plastic
	Seat Material:	Metal



Size	A	S-SQ	H-Open HT	L
1/4"	2.36" (60mm)	0.98" (25mm)	3.35" (86mm)	2.36" (60mm)
1/2"	3.23" (82mm)	1.33" (34mm)	3.82" (98mm)	2.73" (70mm)

## Carbon Steel Needle Valve

Drawing Number	Description	Material
1	Body:	Carbon Steel
2	Stem:	AISI 316 stainless steel - Stellited V Tip
3	Packing Washer:	AISI 316 stainless steel
4	Gland Packing:	Glass Filled PTFE
5	Lock Nut:	Carbon Steel
6	Gland Retainer:	Carbon Steel
7	Handle:	Aluminum Black Anodized
7	Dust Cover:	Plastic
	Seat Material:	Metal



Size	A	S-SQ	H-Open HT	A
1/4"	2.15" (55mm)	0.98" (25mm)	3.35" (86mm)	2.36" (60mm)
1/2"	2.93" (75mm)	1.33" (34mm)	3.82" (98mm)	2.73" (70mm)