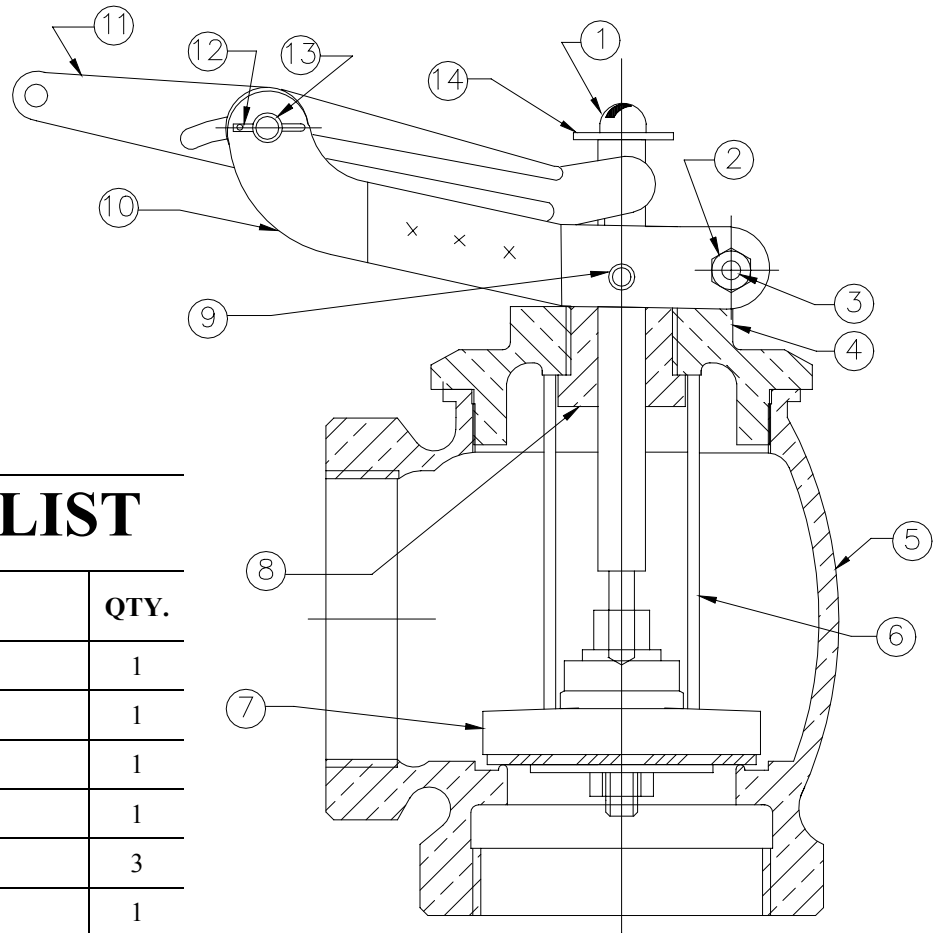




UNITED BRASS WORKS, INC.
 714 S. Main St., Randleman, NC 27317
 Tel: 800-334-3035 Fax: 800-498-4696 www.ubw.com



Model VM200 2” Manual Air Vacuum Valve



MATERIAL LIST

NO.	DESCRIPTION	QTY.
1	V170 – Screw	1
2	238402 – Jam Nut	1
3	V170 – Screw	1
4	VC2001 – Cap	1
5	126J 2” – Body	3
6	50D 2” – Spring	1
7	VM2008 – Stem & Disc Assembly	1
8	VM200G – Stem Guide	1
9	700542 – Set Screw	1
10	V163F – Fulcrum	1
11	X176 – Lever	1
12	4052 – Cotter Pin	1
13	V111 – Pin	1
14	V172 - Washer	1