



UNITED BRASS WORKS, INC.
 714 S. Main St., Randleman, NC 27317
 Tel: 800-334-3035 Fax: 800-498-4696 www.ubw.com

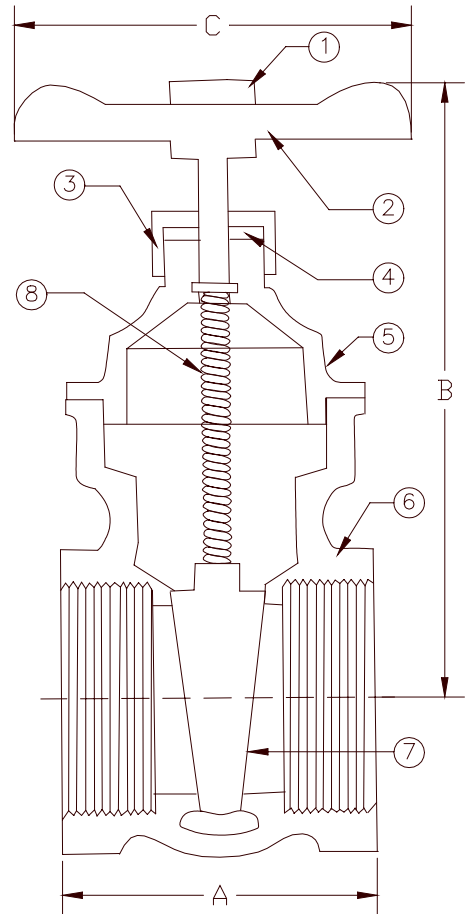


Model 14 Gate Valve (Overseas)

125PSI Cold Water Working Pressure
(Not Recommended for Steam)
Solid Wedge
Non-Rising Stem
Screwed Bonnet

MATERIAL LIST

NO.	DESCRIPTION	MATERIAL
1	Hex Nut	Steel
2	Hand Wheel	Cast Iron
3	Packing Nut	Brass
4	Packing	Graphite
5	Bonnet	Bronze
6	Body	Bronze
7	Gate	Bronze
8	Stem	Brass



Size	3/8"	1/2"	3/4"	1"	1 1/4"	1 1/2"	2"
A	1.60	1.70	1.85	2.10	2.40	2.45	2.85
B	2.75	2.80	3.20	3.90	4.80	5.00	6.15
C	2.00	2.00	2.00	2.35	3.00	3.00	3.25
Ship Wgt. (lbs.)	0.63	0.63	0.81	1.10	1.80	2.10	3.20
Qty. Per Ctn.	12	12	6	6	2	2	2