

# Industrial 9IT Solar Digital with Integral RTD/Transmitter



## Description & Features:

- Ideal for temperature measurements that require an industrial style connection with a local and 4-20 mA output.
- Low light compatible (16 Lux minimum)
- Includes separable thermowell
- Durable ABS case
- Minus 50 to 320 F/C
- Displays to a 10th. of a degree
- Switchable temperature scale (F or C)
- Vari-angle connection for easy installation
- Grade 1A accuracy (1%)
- 4-20mA output

## Applications:

- New construction, Plumbing, Water Lines, Boilers, Heating, Ventilation, Air Conditioning and Industrial Process.

### How to order: Specify product code

Products shown in **BOLD** are normally in stock.

Specifications	
<b>Size/Scale:</b>	2.55" x 4.67" (63.75mm x 116.75mm) sensing display readout
<b>Housing:</b>	High impact ABS plastic with aluminum movable parts
<b>Display:</b>	Solar powered
<b>LUX Rating (Min.):</b>	16 LUX
<b>Stem:</b>	3 1/2" (90mm), fully adjustable angle
<b>Connection:</b>	3/4" NPT with brass thermowell standard (1 1/4" UNF swivel nut without thermowell)
<b>Accuracy:</b>	1% accuracy
<b>Temperature Range:</b>	Switchable between -50 to 320°F or -45 to 160°C second response time
<b>Ambient Temperature:</b>	14°F to 150°F (-10°C to 65°C)
<b>Process Temperature:</b>	-50°F to 320°F (-45°C to 160°C)
<b>Enclosure Rating:</b>	IP54
RTD/Transmitter Specifications	
<b>Accuracy:</b>	1% accuracy
<b>Element:</b>	PT100, 2 wire lead
<b>Transmitter:</b>	4-20mA output (-50 -320° F/C)

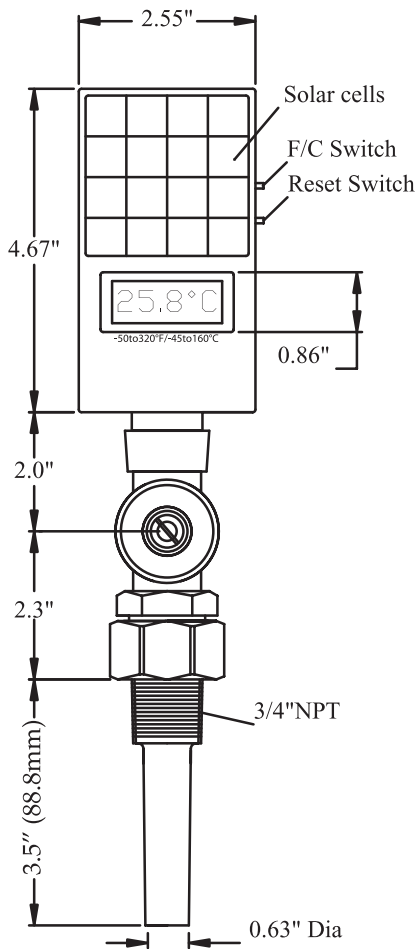
Product Codes	
Description	Code
3 1/2" (90mm) Stem -50°F to 320°F (-45°C to 160°C) Includes Thermowell	<b>T076</b>

### NOTE:

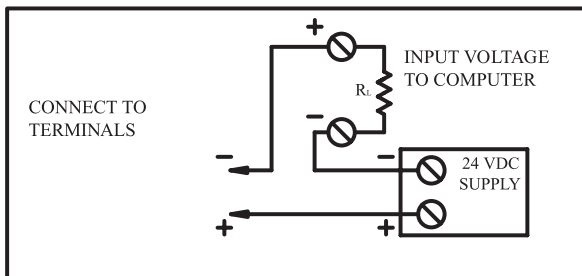
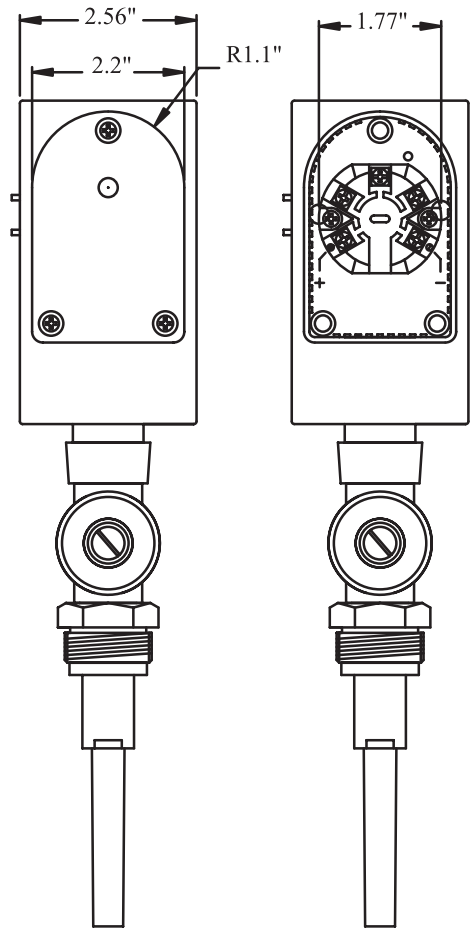
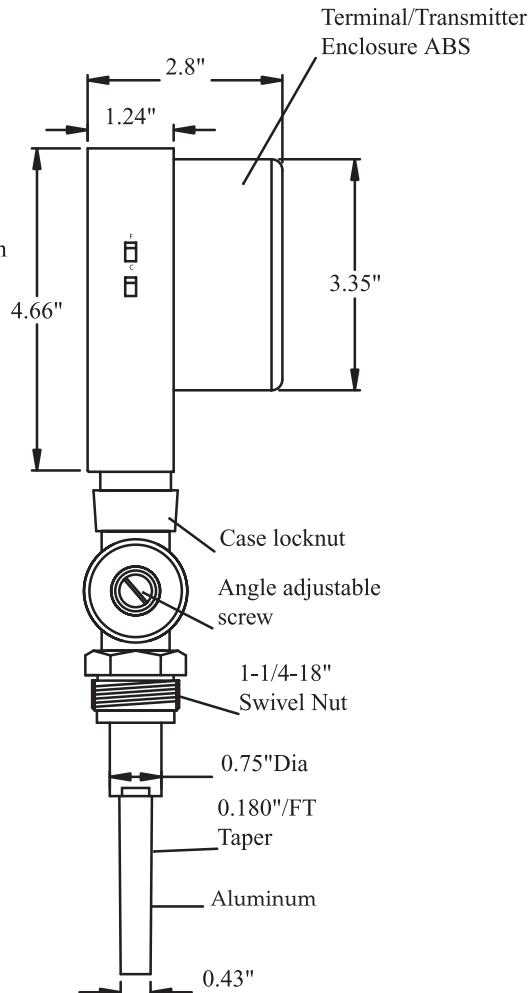
- Duct flange available upon request
- Union connection available upon request

# Industrial 9IT Solar Digital with Integral RTD/Transmitter

## With Thermowell



## Without Thermowell



For R=250 ohm

I (mA)	•F	•C
4	-50	-50
20	+320	+160