

#70 Diaphragm Seals

30" Vac to 2500 psi (-100 to 15,850 kPa)



Process Gauge Attached to a #70 Seal



Description

Winters rugged #70 Diaphragm Seal is a two piece construction and designed to withstand even the most severe process applications. The diaphragm is separable for servicing and is available with a 1/8" NPT or 1/4" NPT flushing connection for removing any material, which may clog the process connection. The diaphragm is constructed of AISI 316L stainless steel and is welded to the upper chamber of the seal for pressures 30 psi (200 kPa) and above; Viton for ranges from 30" Hg Vacuum (-100 kPa) up to 100 psi (690 kPa). Viton is highly recommended for applications less than 10 psi. The Winters #70 Diaphragm Seal is **CRN registered**.

Applications

Any applications where the process fluid is corrosive or is viscous and would clog instrument internals or would solidify within the pressure gauge, switch or transmitter.

SPECIFICATIONS

SPECIFICATIONS	
Housing:	Various material available including, 316 stainless steel, Monel & Hastelloy C
Construction:	Two piece construction
Connection:	Bottom: 1/4", 1/2", 3/4" and 1" NPT Top: 1/4" and 1/2" NPT
Other:	Flushing connections available. Other materials such as Teflon®, PVC, Carbon steel, Alloy 20, Hastelloy B, Titanium, Tantalum, etc. are available upon request.

#70 Diaphragm Seals

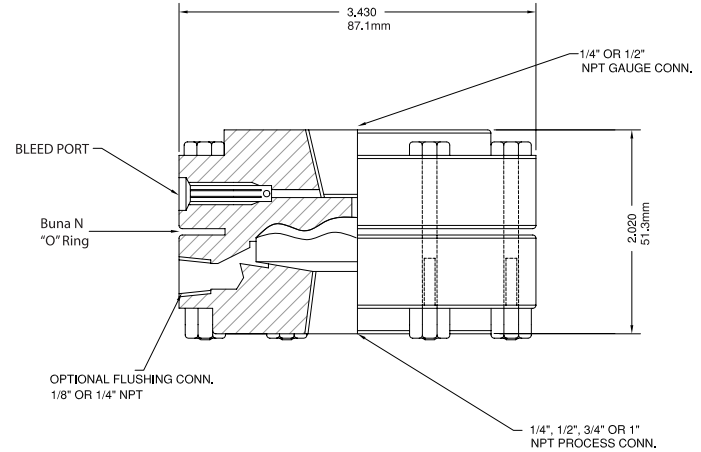
30" Vac to 2500 psi (-100 to 15,850 kPa)

Products shown in **BOLD** are normally in stock.

Product Codes	
Lower Housing (Bottom)	
316 St/St, 1/4" NPT conn.	D954
316 St/St, 1/2" NPT conn.	D956
316 St/St, 1/2" NPT conn. with flushing	D957
316 St/St, 3/4" NPT conn. with flushing	D959
316 St/St, 3/4" NPT conn.	D963
316 St/St, 1" NPT conn.	D964
316 St/St, 1" NPT conn. with flushing	D965
316 St/St, 1/4" NPT conn., Viton	D954V
316 St/St, 1/2" NPT conn., Viton	D956V
316 St/St, 1/2" NPT conn. with flushing, Viton	D957V
316 St/St, 3/4" NPT conn. with flushing, Viton	D959V
316 St/St, 3/4" NPT conn., Viton	D963V
316 St/St, 1" NPT conn., Viton	D964V
316 St/St, 1" NPT conn. with flushing, Viton	D965V
Monel, 1/4" NPT conn.	D954M
Monel, 1/2" NPT conn.	D956M
Monel, 1/2" NPT conn. with flushing	D957M
Monel, 3/4" NPT conn. with flushing	D959M
Monel, 3/4" NPT conn.	D963M
Monel, 1" NPT conn.	D964M
Monel, 1" NPT conn. with flushing	D965M
Hastelloy C, 1/4" NPT conn.	D954HASC
Hastelloy C, 1/2" NPT conn.	D956HASC
Hastelloy C, 1/2" NPT conn. with flushing	D957HASC
Hastelloy C, 3/4" NPT conn. with flushing	D959HASC
Hastelloy C, 3/4" NPT conn.	D963HASC
Hastelloy C, 1" NPT conn.	D964HASC
Hastelloy C, 1" NPT conn. with flushing	D965HASC

Product Codes	
Upper Housing (Top)	
316 St/St, 1/4" NPT conn., 316 St/St diaphragm	D950
316 St/St, 1/4" NPT conn., Monel diaphragm	D950M
316 St/St, 1/4" NPT conn., Hastelloy C diaphragm	D950HASC
316 St/St, 1/4" NPT conn., Viton diaphragm	D951
316 St/St, 1/2" NPT conn., 316 St/St diaphragm	D952
316 St/St, 1/2" NPT conn., Monel diaphragm	D952M
316 St/St, 1/2" NPT conn., Hastelloy C diaphragm	D952HASC
316 St/St, 1/2" NPT conn., Viton diaphragm	D953

#70 Diaphragm Seal - Stainless Steel Diaphragm



- Options:**
- SF-D = Silicone fill (seal only)
 - FL-D = Fluorolube fill (seal only)
 - Teflon Protected Diaphragm
 - ♦ Viton is a trademark of Dupont Dow Elastomers

When selecting a #70 series diaphragm seal, you must choose an upper and lower housing.

Example: **D950 - D956**
Upper Lower

#70 Diaphragm Seal - Monel Diaphragm Model: D950M-D957M

#70 Diaphragm Seal - Hastelloy C Diaphragm Model: D950HASC-D954HASC

