

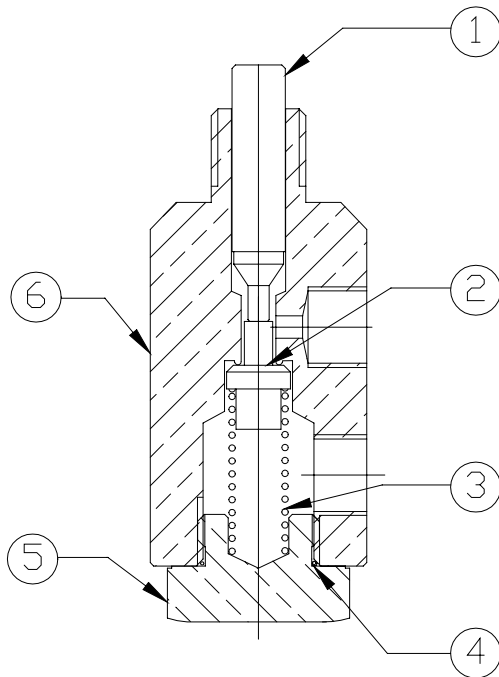


**UNITED BRASS WORKS, INC.**  
714 S. Main St., Randleman, NC 27317  
Tel: 800-334-3035 Fax: 800-498-4696 www.ubw.com



# Model RA211 Head Valve Assembly W/ Gaskets & Guides

125WSP @ 350°F Max



## MATERIAL LIST

NO.	DESCRIPTION	QTY.
1	RA211B – Stem	1
2	RA211D – Plunger	1
3	RA211S – Spring	1
4	2-013 – O-Ring	1
5	RA211A - Cap	1
6	RA211J - Body	1