

# Toppers

## 19MX

### Mushroom Topper Press

The Unipress model 19MX Mushroom Topper is the ideal press for high quality pants. The unique buck shape and contour produce superior quality and make it easy to dress. Operators will love the wide angle head opening and fast smooth head closure.

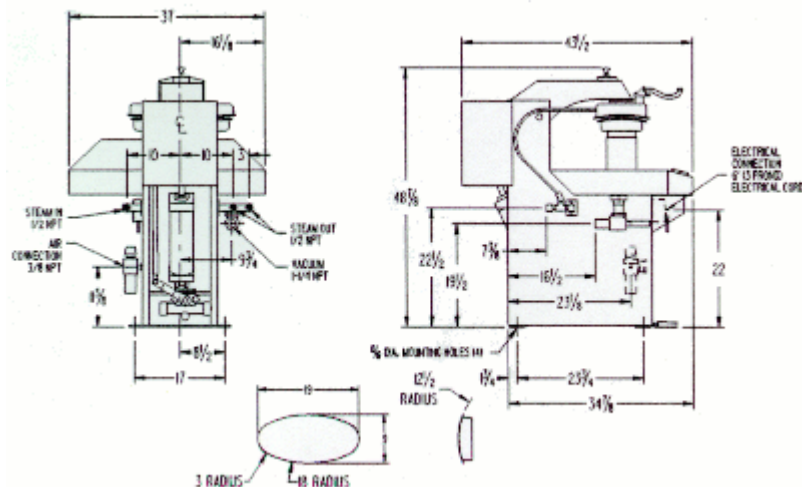
Designed and built for high quality and reliability, the 19MX features microprocessor controls with self-diagnostics.



## Features

- Finger Tip Pressure Regulator
- Quiet Operation
- Durable Construction
- 60° Head Opening
- Minimum of Floor Space
- Designed and Manufactured in USA

## Specifications



## **19" Hot Head Mushroom Scissor Press**

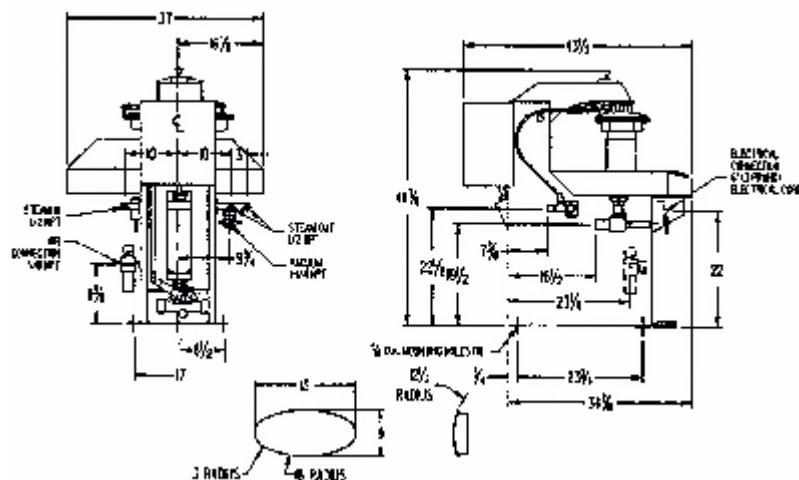
The perfect combination to improve your quality and increase your production. These presses are specifically designed to help you conquer the challenges of a changing market. The 46XH and 19MXH feature highly polished, nickel plated heads. The open chamber design of the head facilitates an even heat transfer across the head. Thus, providing the temperatures necessary to quickly finish cotton pants. The 46XH features an automatic cycle that allows the operator to top while the legs are being finished. Both units are built to Unipress' exacting standards. Each press is equipped with microprocessor controls and has self-diagnostic capabilities. The microprocessor assures reliability and ease of trouble shooting. The fast smooth opening and closing of the head are enough to make any presser smile.



### **Features**

- **Wide Head Opening**
- **Finger Tip Pressure Adjustment**
- **Quiet Operation**
- **Single Action Cylinder**
- **Durable Construction**
- **Designed and Manufactured in the USA**
- **Heavy Duty Steel Frame Construction**

### **Specifications**

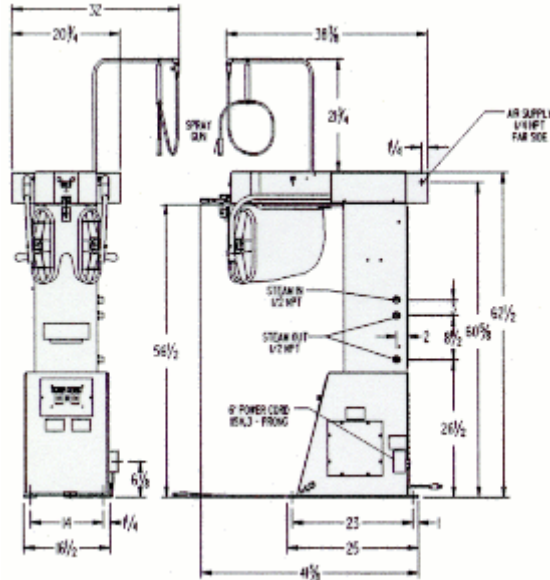


## Features

- Automatic Steam and Air Cycles
- High Temperature Air For Fast Drying
- Handles Sizes 23-46
- Foot Controlled Waist Band Expander
- Adjustable Timers
- Fly Clamp
- Easy Access for Maintenance
- Designed and Manufactured in the USA



## Specifications





## Specifications

