

3" BATTERY POWERED DIGITAL MODULES

Tel-Tru's DIGI-TEL Thermometers combine the easy, quick visual reference feature of a local indicator and the precision read out of a digital thermometer with a unique interchangeable probe concept.

► DIGI-TEL ANALOG DIGITAL DISPLAY MODULES (USE WITH INTERCHANGEABLE PROBE)

MODEL	DIAL SIZE	CASE TYPE	MOUNTING STYLE
D1A	3" Round	Direct Mount	Adjustable Angle
D1B	3" Round	Direct Mount	Back Connect
D1C	3" Round	Direct Mount	Bottom Connect
D1R	3" Round	Remote Mount	Wall Mount, Bottom Connect

D1A Direct Mount Adjustable Angle



D1B Direct Mount Back Connect



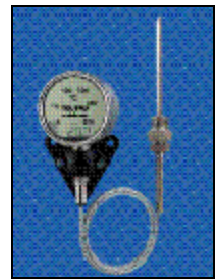
► SPECIFICATIONS:

Case Material:	304 stainless steel
Power Supply:	Lithium battery
Service Life:	5 years
Reading Cycle:	3 second intervals
Dual Display:	Analog bar graph 61 divisions, Digital 4 digits with 7 segment display .43" (11mm) high
Protection Level:	IP 65
Ambient Temperature:	-4 to 140°F (-20 to 60°C)
Accuracy:	Within ±1% of reading plus 1 degree In accordance with DIN EN 13190 Class 1
Resolution:	Up to 500°F (250°C) = .5°, over 500°F = 1°

D1C Direct Mount Bottom Connect



D1R Remote Mount Bottom Connect



► HOW TO ORDER:

TO BUILD A PART NUMBER: Select one code from each column in the table below to build your Digital Thermometer.

Example: 3" Adjustable Angle SS case, analog and digital, direct mount, 0/400°F, no options

Ordering Format:	MODEL	CASE STYLE	TEMP RANGE	OPTIONS
	D1	A	05	100

**** Important Note ****

Order interchangeable probes and cables separately (see page 7 and 8)

MODEL CODE	CASE TYPE CODE	TEMP. RANGE CODE	OPTION CODE
D1 (analog/digital)	A = Direct Mount, Adjustable Angle	01 = -80/120°F	100 = NONE
	B = Direct Mount, Back Connect	02 = -40/160°F	
	C = Direct Mount, Bottom Connect	03 = 25/125°F	
	R = Remote Mount, Wall Mount, Bottom Connect	04 = 0/250°F	
		* 05 = 0/400°F	
		* 06 = 50/550°F	
		* 07 = 150/750°F	
		50 = -60/40°C	
		51 = -40/80°C	
		52 = 0/120°C	
		53 = 0/160°C	
		* 54 = 0/250°C	
		* 55 = 0/300°C	

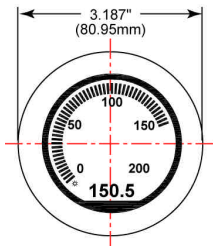
* Must use HIGH temp. probe P2



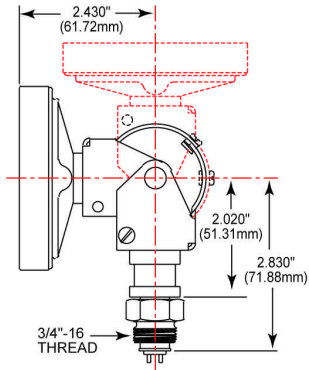
Tel-Tru Manufacturing Company
408 St. Paul Street, Rochester, New York 14605 USA
Phone: 585-232-1440 • 800-232-5335 • Fax: 585-232-3857 • E-mail: info@teltru.com • Web: www.teltru.com

► **DIGI-TEL D1 DIRECT MOUNT DIMENSIONAL DRAWINGS**

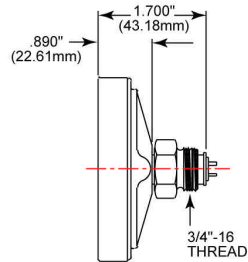
Front View



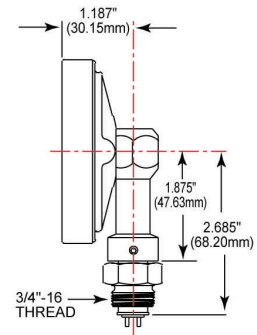
Adjustable Angle
D1A



Back Connect
D1B

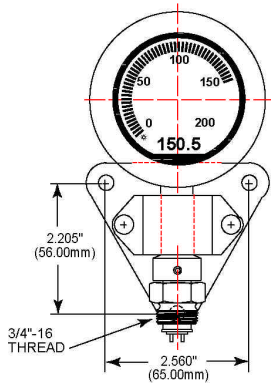


Bottom Connect
D1C



► **DIGI-TEL D1 REMOTE MOUNT DIMENSIONAL DRAWINGS**

Wall Mount
Bottom Connect
D1R



Side View of
Wall Mount

