



**TEL-TRU MANUFACTURING COMPANY**  
**DIGI-TEL THERMOMETERS**



*World-Class Thermometers* Since 1916

[www.teltru.com](http://www.teltru.com)

# ELECTRONIC DIGITAL THERMOMETERS

Tel-Tru's DIGI-TEL Thermometers combine the easy, quick visual reference feature of a local indicator and the precision readout of a digital thermometer with a unique interchangeable probe concept.

## ► The DIGI-TEL Advantage

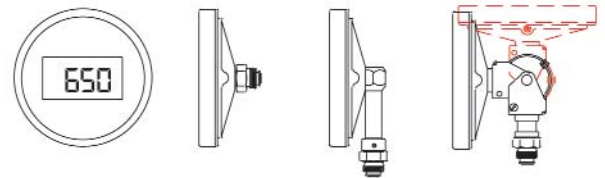
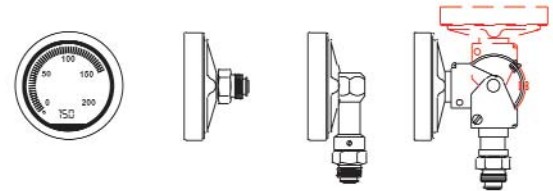
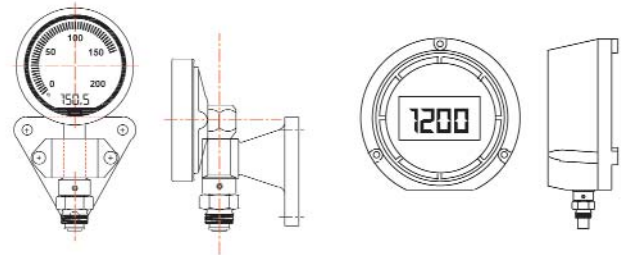
- ★ Easily read display with either analog or digital indication.
- ★ Analog/digital readout with LCD graduations allow instant recognition of reading from a distance.
- ★ Innovative sensor and microprocessor technology.
- ★ Quick response time with lasting accuracy.
- ★ Temperature ranges available are traditional bimetal thermometer equivalents or maximum span allowable by instrument.
- ★ Sturdy mechanical design and stainless steel construction makes it suitable for heavy-duty industrial process applications.
- ★ No mechanical wear.
- ★ Fewer number of configurations for industrial plants to order and hold in stores.
- ★ Eliminates the use of measuring liquids, like mercury, which may be a risk to health and the environment during manufacture, use, and disposal.
- ★ Microprocessor design offers opportunities for future additions of advanced features to the electronic module.
- ★ Intrinsically safe approval pending.

For a visual product demonstration, visit the Digital Thermometer page on our website at [www.teltru.com](http://www.teltru.com)

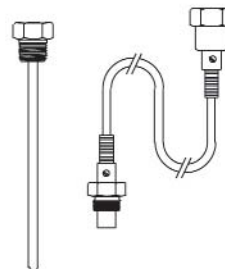
## ► Battery Powered DIGI-TEL

- ★ Battery powered models have interchangeable probe assemblies and display modules for easy field changes and replacements.
- ★ Battery powered units have a five year battery life.
- ★ Interchangeability of components is ideal for test applications.
- ★ Innovative concept and flexible configuration possibilities for OEM's.
- ★ Factory certification of accuracy and battery replacement available.

### BATTERY POWERED DIGI-TEL DIGITAL DISPLAY MODULE (For more product information see pages 3-6)



### Select a Probe and/or Cable

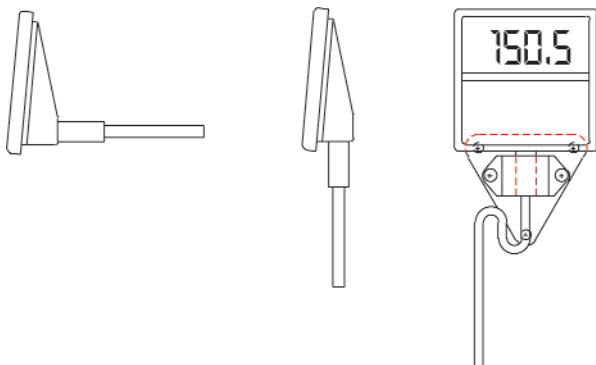


### Connect and Install



### SOLAR POWERED DIGI-TEL DIGITAL THERMOMETERS

Solar models have integrated cable and/or probe  
(For more product information see pages 9-10)





## Tel-Tru Manufacturing Company

408 St. Paul Street, Rochester, New York 14605 USA

Phone: 585.232.1440 • 800.232.5335 • Fax: 585.232.3857 • E-mail: info@teltru.com • Web: www.teltru.com

### ► The Industrial Thermometer of the Future...

**DIGI-TEL battery powered** models combine the quick visual reference feature of a local indicator and the precision readout capability of a digital thermometer with a unique interchangeable probe concept . . . **SELECT, CONNECT, and INSTALL!** **DIGI-TEL solar powered** models are available with an integrated cable and/or probe. All **DIGI-TEL** models have a one year warranty.

Local temperature indicators available without external power, until now, have all been analog dial types, either filled with mercury or gas, or of bimetal design. The new DIGI-TEL thermometer has been designed utilizing state-of-the-art microprocessor technology, resulting in a more reliable, flexible, and accurate alternative in temperature measurement.

The Tel-Tru **solar powered DIGI-TEL** has as its energy source a solar cell as an integral part of the display module. The instrument functions reliably in artificial light at levels above 50 lux. The 100-lux minimum for many industrial plants means the installation of the Tel-Tru **solar powered DIGI-TEL** can be used practically anywhere. The Tel-Tru **battery powered DIGI-TEL** uses a lithium battery, which has a working life of five years.

**Interchangeable probe assemblies** offer maximum flexibility for use in industrial, test, and OEM applications. *Direct* and *Remote* thermometer styles are available. **DIGI-TEL** thermometers are *easy to install* because sensor assembly and display indicator can be selected according to the application and *easily connected on-site* for installation into standard thermowells.

#### The Display Module - Dual Analog and Digital Display

The circular arrangement of LCD "graduations" are designed to give the appearance of a traditional dial instrument, while the exact temperature can be read from a 4 digit display. **DIGI-TEL** models with a digital only display and with large high-resolution digits are also available. Modules are all stainless steel. The heavy-duty industrial assemblies are available as back, bottom, adjustable angle, or remote configurations. The unit complies with the vibration requirements of German Lloyd for marine applications (modules D1A and D5A excluded). Dust and moisture protection level is to IP 65 and electromagnetic interference complies with the requirements of the EC standards.

|                                       | 3" Modules   |   | 5" Modules                         |
|---------------------------------------|--|---|------------------------------------|
| Display Type                          | <b>Analog/Digital Readout:</b><br>Analog "graduations" similar to dial thermometers<br>Digital readout for exact reading |   | <b>Digital Only Readout</b>        |
| Size                                  | .43" (11mm)  |   | 1.06" (27mm)                       |
| Factory Calibrated Temperature Ranges | <b>Accuracy</b><br>± 1° or 1% FS   | <b>Accuracy</b><br>± 1° or .50% FS  | <b>Accuracy</b><br>± 1° or .25% FS |
|                                       | 25/125°F<br>-60/40°C<br>-40/80°C<br>0/120°C  | -80/120°F 0/160°C<br>-40/160°F 0/250°C<br>0/250°F 0/300°C<br>0/400°F<br>50/550°F<br>150/750°F | -75/750°F<br>-60/400°C             |

### ► New Concept, Traditional Design!

#### The Probe Assembly--Sensor

The temperature sensor is a thin film Platinum RTD, Pt 1000 2-wire type. Grounding is not necessary due to minimal resistance change over length. Maximum length recommended is 163 feet/50 meters. Very low power consumption of the sensor allows use of solar powered modules, or up to a 5 year life on battery powered units. Signal conditioning is performed by the microprocessor. The small size of the sensor chip allows pinpoint positioning in the medium for faster response characteristics

#### Interchangeable Probe Construction

Probe assemblies for the **battery powered** models are interchangeable with all display modules through the use of a standard watertight connector assembly. Cable assemblies for Remote Mounted thermometers use the same interchangeable connectors. The threaded union connection is a standard 1/2" NPT and 6mm diameter stems fit into standard bimetal thermowells.

#### The Measuring Process

The Tel-Tru **solar** and **battery powered DIGI-TEL** thermometers rely on a periodic measurement process with a 3 second cycle time allowing the viewer, even in passing, to take a real-time reading. An activity display (a sun symbol at the start of display) indicates the measurement cycle.

#### Performance

The microprocessor conditions the signal resistance of Pt 1000 with a resolution of 12 bits. The numerical error of measurement is less than 1 Kelvin. This meets the accuracy requirements for measuring equipment to EN 13190 class 1, which is within ±1% of the reading plus 1 degree.

#### Sensor Monitoring

The microprocessor continually checks the integrity of the sensor signal.

#### Service Considerations

A significant advantage of the Tel-Tru **DIGI-TEL** thermometers lies in the long-term stability of the electronics to provide the measurement. Integrated diagnostic routines continually check the validity of the sensor output. An error message will occur when there is a short circuit of the sensor connection, the measured value is out of range, and when the probe is not connected to the module or in the event of a sensor failure. Please see www.teltru.com for error message details.

## 4-1/2" and 5" BATTERY POWERED DIGITAL MODULES

Tel-Tru's DIGI-TEL Thermometers combine easy, quick visual reference feature of a local indicator and the precision readout of a digital thermometer with a unique interchangeable probe concept.

### ► DIGI-TEL DIGITAL DISPLAY MODULES (USE WITH INTERCHANGEABLE PROBE)

| MODEL | DIAL SIZE    | CASE TYPE    | MOUNTING STYLE             |
|-------|--------------|--------------|----------------------------|
| D5A   | 5" Round     | Direct Mount | Adjustable Angle           |
| D5B   | 5" Round     | Direct Mount | Back Connect               |
| D5C   | 5" Round     | Direct Mount | Bottom Connect             |
| D4R   | 4-1/2" Round | Remote Mount | Wall Mount, Bottom Connect |

D5A Direct Mount  
Adjustable Angle



D4R Remote Mount  
Bottom Connect



### ► SPECIFICATIONS:

|                      |   |
|----------------------|---|
| Case Material:       | D4 polypropylene turret style<br>D5 304 stainless steel   |
| Power Supply:        | Lithium battery   |
| Service Life:        | 5 years   |
| Reading Cycle:       | 3 second intervals  |
| Display:             | Digital 4 digits with 7 segment display 1.06" (27mm) high |
| Protection Level:    | IP 65   |
| Ambient Temperature: | -4 to 140°F (-20 to 60°C)                                 |
| Accuracy:            | In accordance with DIN EN 13190 Class 1<br>See page 2.    |
| Resolution:          | Up to 500°F (250°C) = .5°, over 500°F = 1°                |

### ► HOW TO ORDER:

**TO BUILD A PART NUMBER:** Select one code from each column in the table below to build your Digital Thermometer.

**Example:** 4.5" round polypropylene case, digital, remote mount, -75/1200°F, no options

| Ordering Format: | MODEL | CASE STYLE | TEMP RANGE | OPTIONS |
|------------------|-------|------------|------------|---------|
|                  | D4    | R          | 10         | 100     |

**\*\* Important Note \*\***

Order interchangeable probes and cables separately (see page 7 and 8)

| MODEL CODE      | CASE TYPE CODE   | TEMP. RANGE CODE  | OPTION CODE |
|-----------------|--|---|-------------|
| D5<br>(digital) | A = Direct Mount, Adjustable Angle<br>B = Direct Mount, Back Connect<br>C = Direct Mount, Bottom Connect | * 09 = -75/750°F<br>* 58 = -60/400°C  | 100 = NONE  |
| D4<br>(digital) | R = Remote Mount, Wall Mount, Bottom Connect   | * 09 = -75/750°F<br>* 58 = -60/400°C<br>** 10 = -75/1200°F<br>** 59 = -60/650°C |             |

\*\* Must use HIGH temp. probe P3 with cable

\* Must use HIGH temp. probe P2



**Tel-Tru Manufacturing Company**

408 St. Paul Street, Rochester, New York 14605 USA

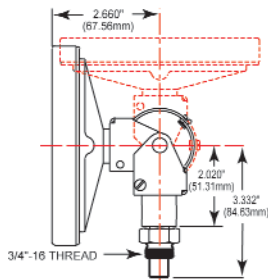
Phone: 585.232.1440 • 800.232.5335 • Fax: 585.232.3857 • E-mail: info@teltru.com • Web: www.teltru.com

► **DIGI-TEL D5 DIRECT MOUNT DIMENSIONAL DRAWINGS**

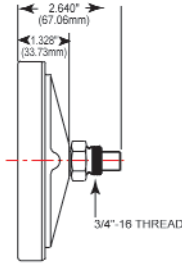
Front View



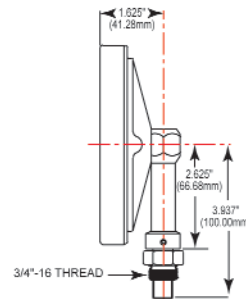
Adjustable Angle  
D5A



Back Connect  
D5B

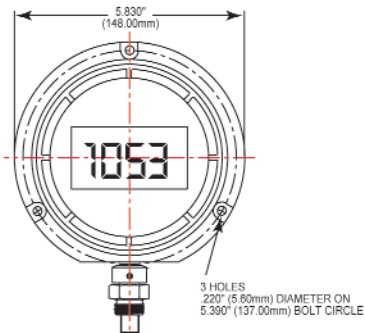


Bottom Connect  
D5C

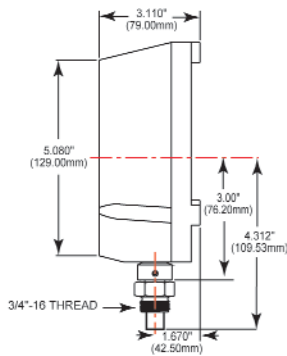


► **DIGI-TEL D4 REMOTE MOUNT DIMENSIONAL DRAWINGS**

Wall Mount  
Bottom Connect  
D4R



Side View  
Wall Mount



## 3" BATTERY POWERED DIGITAL MODULES

*Tel-Tru's DIGI-TEL Thermometers combine the easy, quick visual reference feature of a local indicator and the precision readout of a digital thermometer with a unique interchangeable probe concept.*

### ➤ DIGI-TEL ANALOG DIGITAL DISPLAY MODULES (USE WITH INTERCHANGEABLE PROBE)

| MODEL | DIAL SIZE | CASE TYPE    | MOUNTING STYLE             |
|-------|-----------|--------------|----------------------------|
| D1A   | 3" Round  | Direct Mount | Adjustable Angle           |
| D1B   | 3" Round  | Direct Mount | Back Connect               |
| D1C   | 3" Round  | Direct Mount | Bottom Connect             |
| D1R   | 3" Round  | Remote Mount | Wall Mount, Bottom Connect |

D1A Direct Mount  
Adjustable Angle



D1B Direct Mount  
Back Connect



### ➤ SPECIFICATIONS:

|                      |   |
|----------------------|---|
| Case Material:       | 304 stainless steel   |
| Power Supply:        | Lithium battery   |
| Service Life:        | 5 years   |
| Reading Cycle:       | 3 second intervals  |
| Dual Display:        | Analog bar graph 61 divisions, Digital 4 digits with 7 segment display .43" (11mm) high |
| Protection Level:    | IP 65   |
| Ambient Temperature: | -4 to 140°F (-20 to 60°C)   |
| Accuracy:            | In accordance with DIN EN 13190 Class 1<br>See page 2.                                  |
| Resolution:          | Up to 500°F (250°C) = .5°, over 500°F = 1°  |

D1C Direct Mount  
Bottom Connect



D1R Remote Mount  
Bottom Connect



### ➤ HOW TO ORDER:

**TO BUILD A PART NUMBER:** Select one code from each column in the table below to build your Digital Thermometer.

**Example:** 3" Adjustable Angle SS case, analog and digital, direct mount, 0/400°F, no options

| Ordering Format: | MODEL | CASE STYLE | TEMP RANGE | OPTIONS |
|------------------|-------|------------|------------|---------|
|                  | D1    | A          | 05         | 100     |

**\*\* Important Note \*\***

Order interchangeable probes and cables separately (see page 7 and 8)

| MODEL CODE             | CASE TYPE CODE                                      | TEMP. RANGE CODE        | OPTION CODE       |
|------------------------|---|-------------------------|-------------------|
| D1<br>(analog/digital) | <b>A</b> = Direct Mount, Adjustable Angle           | <b>01</b> = -80/120°F   | <b>100</b> = NONE |
|                        | <b>B</b> = Direct Mount, Back Connect               | <b>02</b> = -40/160°F   |                   |
|                        | <b>C</b> = Direct Mount, Bottom Connect             | <b>03</b> = 25/125°F    |                   |
|                        | <b>R</b> = Remote Mount, Wall Mount, Bottom Connect | <b>04</b> = 0/250°F     |                   |
|                        |   | <b>* 05</b> = 0/400°F   |                   |
|                        |   | <b>* 06</b> = 50/550°F  |                   |
|                        |   | <b>* 07</b> = 150/750°F |                   |
|                        |   | <b>50</b> = -60/40°C    |                   |
|                        |   | <b>51</b> = -40/80°C    |                   |
|                        |   | <b>52</b> = 0/120°C     |                   |
|                        |   | <b>53</b> = 0/160°C     |                   |
|                        |   | <b>* 54</b> = 0/250°C   |                   |
|                        |   | <b>* 55</b> = 0/300°C   |                   |

\* Must use **HIGH** temp. probe **P2**



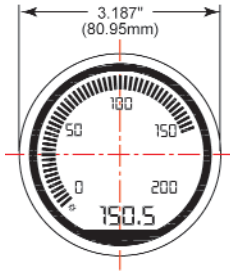
**Tel-Tru Manufacturing Company**

408 St. Paul Street, Rochester, New York 14605 USA

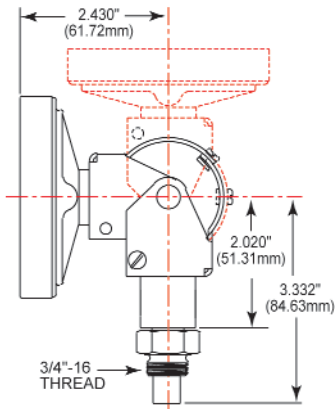
Phone: 585.232.1440 • 800.232.5335 • Fax: 585.232.3857 • E-mail: info@teltru.com • Web: www.teltru.com

► **DIGI-TEL D1 DIRECT MOUNT DIMENSIONAL DRAWINGS**

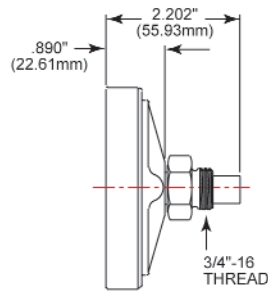
Front View



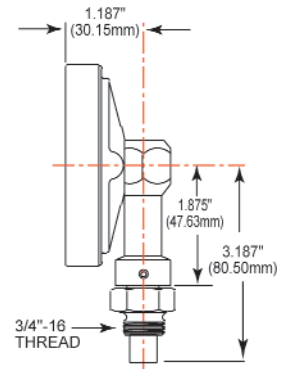
Adjustable Angle  
D1A



Back Connect  
D1B

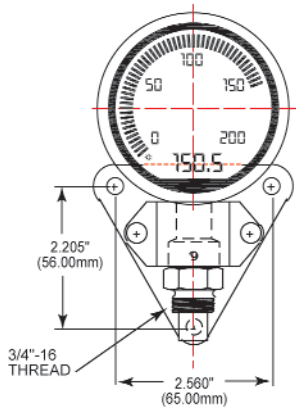


Bottom Connect  
D1C

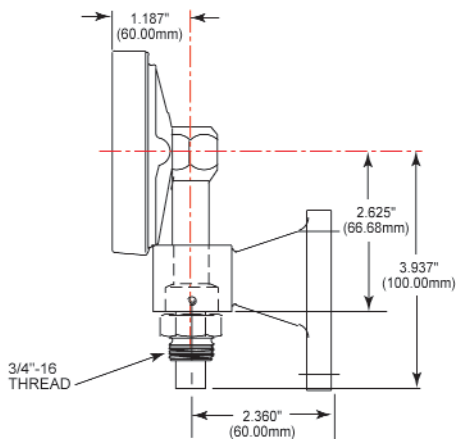


► **DIGI-TEL D1 REMOTE MOUNT DIMENSIONAL DRAWINGS**

Wall Mount  
Bottom Connect  
D1R



Side View of  
Wall Mount



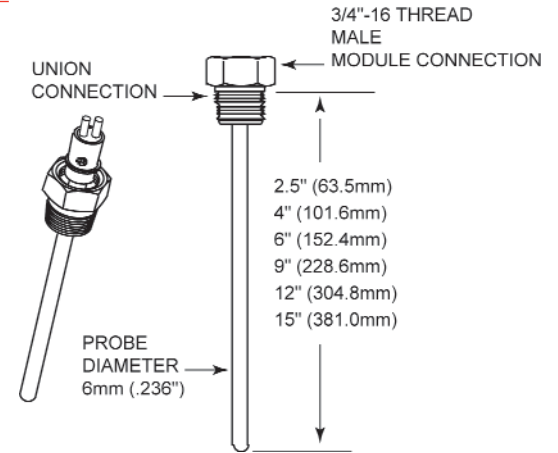
# Interchangeable Probes and Cables

*DIGI-TEL Thermometers combine easy, quick visual reference feature of a local indicator and the precision readout of a digital thermometer with a unique interchangeable probe concept.*

## ► INTERCHANGEABLE PROBES

### ► SPECIFICATIONS:

**Connection:** 316SS union connection  
**Temp. Probe Materials:** 316SS up to 750°F/300°C  
                                   Inconel up to 1200°F/650°C  
**Probe Diameter:** 6mm (.236") diameter  
**Probe Length:** Other probe lengths available, consult factory  
**Sensor:** Pt 1000 thin film platinum RTD  
**Accuracy:** In accordance with IEC 751, A2 (DIN EN60751)  
                                   See page 2.



### ► HOW TO ORDER:

**TO BUILD A PART NUMBER:** Select one code from each column in the table below to build your Probe.

**Example:** High temperature probe, 6mm diameter 316SS, 2.50" length, plain bushing

|                  | PROBE DIAMETER | PROBE LENGTH | CONNECTION | OPTION   |
|------------------|----------------|--------------|------------|----------|
| Ordering Format: | <b>P2</b>      | <b>4</b>     | <b>02</b>  | <b>1</b> |

| RANGE      | D1 | D4 | D5 | PROBE CODE   | DIA. CODE      | PROBE LENGTH CODE  | CONNECTION CODE   | OPTION CODE  |
|------------|----|----|----|--|----------------|--|---|--|
| -80/120°F  | X  |    |    | <b>P2</b><br>High temp. probe<br>316SS (Max.<br>Operating Temp.<br>750°F/400°C)    | <b>4</b> = 6mm | <b>02</b> = 2.50"<br><b>04</b> = 4.00"<br><b>06</b> = 6.00"<br><b>09</b> = 9.00"<br><b>12</b> = 12.00"<br><b>15</b> = 15.00" | <b>1</b> = No Thread<br><b>2</b> = 1/2" NPT Union<br><b>3</b> = 1/2" BSPT Union | <b>0</b> = NONE<br><b>1</b> = 316SS Cap<br>and Chain |
| -40/160°F  | X  |    |    |  |                |  |   |  |
| 25/125°F   | X  |    |    |  |                |  |   |  |
| 0/250°F    | X  |    |    |  |                |  |   |  |
| 0/400°F    | X  |    |    |  |                |  |   |  |
| 50/550°F   | X  |    |    |  |                |  |   |  |
| 150/750°F  | X  |    |    |  |                |  |   |  |
| -75/750°F  |    | X  | X  |  |                |  |   |  |
| -60/40°C   | X  |    |    |  |                |  |   |  |
| -40/80°C   | X  |    |    |  |                |  |   |  |
| 0/120°C    | X  |    |    |  |                |  |   |  |
| 0/160°C    | X  |    |    |  |                |  |   |  |
| 0/250°C    | X  |    |    |  |                |  |   |  |
| 0/300°C    | X  |    |    |  |                |  |   |  |
| -60/400°C  |    | X  | X  |  |                |  |   |  |
| -75/1200°F |    | X  |    | <b>P3</b><br>High temp. Inconel<br>probe (Max.<br>Operating Temp.<br>1200°F/650°C) |                |  |   |  |
| -60/650°C  |    | X  |    |  |                |  |   |  |

**NOTE:** Thermowells are recommended for pressure, corrosive fluid or high velocity applications. Probes can be used with standard .260" ID thermowells.





### Tel-Tru Manufacturing Company

408 St. Paul Street, Rochester, New York 14605 USA

Phone: 585.232.1440 • 800.232.5335 • Fax: 585.232.3857 • E-mail: info@teltru.com • Web: www.teltru.com

## ► CABLES FOR REMOTE MOUNT APPLICATIONS

Cables have complete male and female 316SS connectors for assembly to display modules and probes.

### ► HOW TO ORDER:

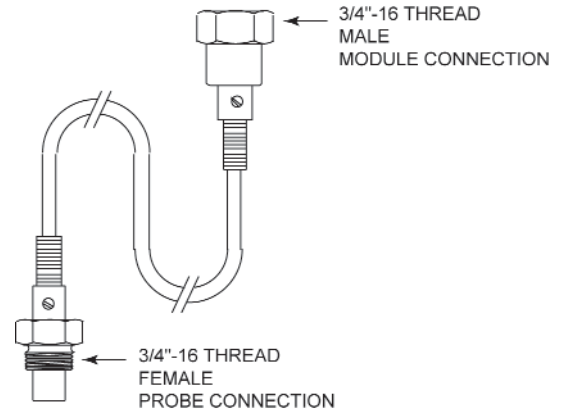
**TO BUILD A PART NUMBER:** Select one code from each column in the table below to build your cable.

Example: Teflon, 30 FT.

|                  |              |               |
|------------------|--------------|---------------|
| Ordering Format: | <b>CABLE</b> | <b>LENGTH</b> |
|                  | <b>C1</b>    | <b>030</b>    |

| CABLE CODE   | CABLE LENGTH CODE  |
|--|--|
| <b>C1</b> Teflon EMI shielded<br>(max. temp. exposure 400°F/200°C)             | <b>005</b> = 5 FT.<br><b>010</b> = 10 FT.<br><b>015</b> = 15 FT.<br><b>020</b> = 20 FT.<br><b>030</b> = 30 FT.<br><b>040</b> = 40 FT.<br><b>050</b> = 50 FT. |
| <b>C2</b> Braided Galvanized EMI shielded<br>(max. temp. exposure 500°F/300°C) |  |

**NOTE:** Maximum cable length is 163 feet (50 meters).



## ► SEE TEL-TRU THERMOWELL CATALOG TW1000

For complete dimensions, sizes, available materials, optional features and configurations. For technical data on pressure and temperature ratings and maximum fluid velocity see <http://www.teltru.com>.

### ► THREADED



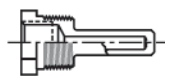
*Stepped*



*Straight*

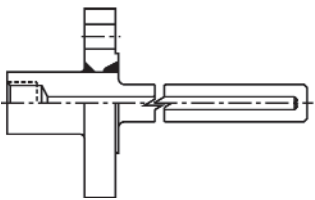


*Tapered*

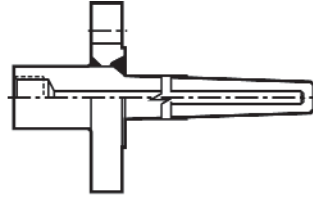


*Limited Space*

### ► FLANGED

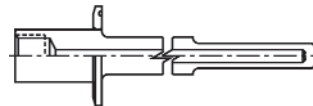


*Straight*



*Heavy Duty Tapered*

### ► SANITARY



### ► WELDED

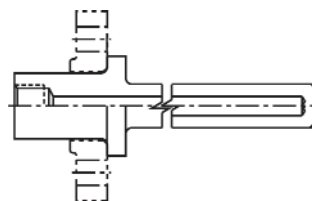


*Socket Weld*



*Weld-In*

### ► VAN STONE



**NOTE:** Thermowells are recommended for pressure, corrosive fluid or high velocity applications.

# 4" SOLAR POWERED DIGITAL THERMOMETERS

Tel-Tru's DIGI-TEL Thermometers combine the easy, quick visual reference feature of a local indicator and the precision readout of a digital thermometer with very low light requirements.

## ➤ DIGI-TEL ANALOG DIGITAL AND DIGITAL THERMOMETERS (WITH INTEGRATED PROBE)

| MODEL | DIAL SIZE | CASE TYPE    | MOUNTING STYLE             |
|-------|-----------|--------------|----------------------------|
| D3B   | 4" Square | Direct Mount | Back Connect               |
| D3C   | 4" Square | Direct Mount | Bottom Connect             |
| D3R   | 4" Square | Remote Mount | Wall Mount, Bottom Connect |

D3B Direct Mount  
Back Connect



D3R Remote Mount  
Bottom Connect



## ➤ SPECIFICATIONS:

|                      |   |
|----------------------|---|
| Case Material:       | Stainless Steel case with chrome plated bezel             |
| Connection:          | None (compression fitting sold separately)                |
| Probe:               | 6mm (.236") diameter 316SS                                |
| Power Supply:        | Solar cell, 50 Lux min. light density                     |
| Reading Cycle:       | 3 second intervals  |
| D3 Display:          | Digital 4 digits with 7 segment display 1.06" (27mm) high |
| Protection Level:    | IP 65   |
| Ambient Temperature: | -4 to 140°F (-20 to 60°C)                                 |
| Accuracy:            | In accordance with DIN EN 13190 Class 1<br>See page 2     |

## ➤ HOW TO ORDER DIRECT MOUNT:

**TO BUILD A PART NUMBER:** Select one code from each column in the table below to build your Solar Digital Thermometer.

**Example:** 4" square SS case, digital, direct mount, back connect, -75/750°F, none, 15" probe.

| Ordering Format: | MODEL | CASE STYLE | TEMP RANGE | OPTION | PROBE LGTH. | * 14 |
|------------------|-------|------------|------------|--------|-------------|------|
|                  | D3    | B          | 09         | 100    | 15          | 14   |

\* Represents part number place holder--must always appear in this placement when building a Solar Powered Digital Thermometer part number.

| DIRECT MOUNT  |                                    |                        |               |             |                  |
|---------------|------------------------------------|------------------------|---------------|-------------|------------------|
| MODEL CODE    | CASE TYPE CODE                     | TEMPERATURE RANGE CODE |               | OPTION CODE | PROBE LGTH. CODE |
| D3<br>Digital | B = Direct Mount<br>Back Connect   | 01 = -80/120°F         | 50 = -60/40°C | 100 = NONE  | 02 = 2.50"       |
|               |                                    | 02 = -40/160°F         | 51 = -40/80°C |             | 04 = 4.00"       |
|               | C = Direct Mount<br>Bottom Connect | 03 = 25/125°F          | 52 = 0/120°C  |             | 06 = 6.00"       |
|               |                                    | 04 = 0/250°F           | 53 = 0/160°C  |             | 09 = 9.00"       |
|               |                                    | 05 = 0/400°F           | 54 = 0/250°C  |             | 12 = 12.00"      |
|               |                                    | 06 = 50/550°F          | 55 = 0/300°C  |             | 15 = 15.00"      |
|               |                                    | 07 = 150/750°F         |               |             |                  |
|               |                                    | 09 = -75/750°F         |               |             |                  |
|               |                                    | 58 = -60/400°C         |               |             |                  |



**Tel-Tru Manufacturing Company**

408 St. Paul Street, Rochester, New York 14605 USA

Phone: 585.232.1440 • 800.232.5335 • Fax: 585.232.3857 • E-mail: info@teltru.com • Web: www.teltru.com

➤ **HOW TO ORDER REMOTE MOUNT:**

**TO BUILD A PART NUMBER:** Select one code from each column in the table below to build your Solar Digital Thermometer.

**Example:** 4" square SS case, digital, remote mount, wall mount, bottom connect, 150/750°F, none, 6" probe, Teflon cable, 20 FT. cable length.

|                         |              |                   |                   |               |                    |              |                         |
|-------------------------|--------------|-------------------|-------------------|---------------|--------------------|--------------|-------------------------|
| <b>Ordering Format:</b> | <b>MODEL</b> | <b>CASE STYLE</b> | <b>TEMP RANGE</b> | <b>OPTION</b> | <b>PROBE LGTH.</b> | <b>CABLE</b> | <b>CABLE LGTH. * 14</b> |
|                         | D3           | R                 | 07                | 100           | 06                 | C1           | 020 14                  |

\* Represents part number place holder--must always appear in this placement when building part number

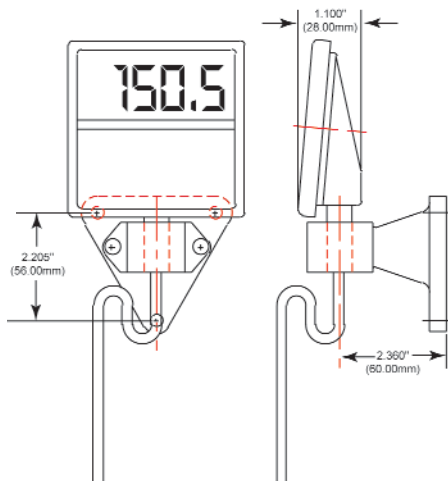
| REMOTE MOUNT  |                  |                   |               |             |                  |   |                  |
|---------------|------------------|-------------------|---------------|-------------|------------------|---|------------------|
| MODEL CODE    | CASE TYPE CODE   | TEMPERATURE RANGE |               | OPTION CODE | PROBE LGTH. CODE | CABLE CODE  | CABLE LGTH. CODE |
| D3<br>Digital | R = Remote Mount | 01 = -80/120°F    | 50 = -60/40°C | 100 = NONE  | 02 = 2.50"       | C1 = Teflon,<br>C2 = Braided<br>Galvanized<br>EMI<br>shielded | 005 = 5 FT.      |
|               |                  | 02 = -40/160°F    | 51 = -40/80°C |             | 04 = 4.00"       |   | 010 = 10 FT.     |
|               |                  | 03 = 25/125°F     | 52 = 0/120°C  |             | 06 = 6.00"       |   | 015 = 15 FT.     |
|               |                  | 04 = 0/250°F      | 53 = 0/160°C  |             | 09 = 9.00"       |   | 020 = 20 FT.     |
|               |                  | 05 = 0/400°F      | 54 = 0/250°C  |             | 12 = 12.00"      |   | 030 = 30 FT.     |
|               |                  | 06 = 50/550°F     | 55 = 0/300°C  |             | 15 = 15.00"      |   | 040 = 40 FT.     |
|               |                  | 07 = 150/750°F    |               |             |                  |   | 050 = 50 FT.     |
|               |                  | 09 = -75/750°F    |               |             |                  |   |                  |
|               |                  | 58 = -60/400°C    |               |             |                  |   |                  |

➤ **REMOTE DIMENSIONAL DRAWINGS**

➤ **DIRECT DIMENSIONAL DRAWINGS**

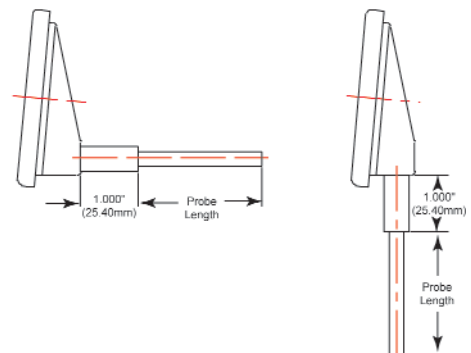
Wall Mount  
Bottom Connect  
D3R

Wall Mount  
Side View  
D3R



Back  
Connect  
D3B

Bottom  
Connect  
D3C

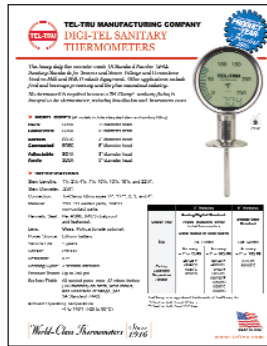


**Note: Order Compression Fitting Separately**  
For use with Solar Powered Direct & Remote Mount Models  
Part number 96002105

# ADDITIONAL PRODUCTS AVAILABLE FROM TEL-TRU



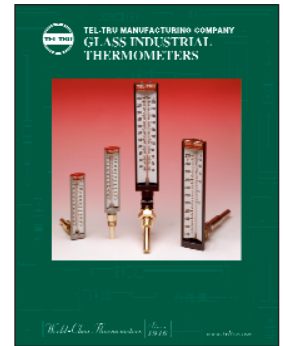
**Bimetal Thermometers**  
Catalog number BT1100



**Sanitary Bimetal and Digi-Tel Sanitary Thermometers**  
Catalog numbers SBT/ST804 and DTSSHT805



**Gas Actuated Thermometers**  
Catalog number GA0203



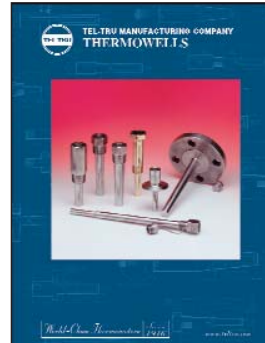
**Glass Industrial Thermometers**



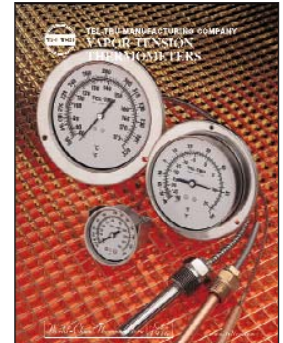
**Digi-Tel Temperature Transmitter**  
Catalog number DTTT904



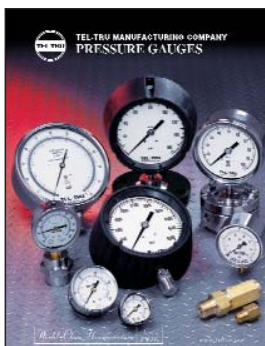
**Electronic Calibration Instruments**  
Catalog numbers C51006, C51206, and C53006



**Thermowells**  
Catalog number TW1003



**Vapor Tension Thermometers**  
Catalog number 8549



**Pressure Gauges**  
Catalog number PG706



**Sanitary Pressure Gauges**  
Catalog number SPG306



**Pressure Transmitters**  
Catalog number PT404



**Check-Temp Calibrators**  
Catalog number CTC401



**Tel-Tru Manufacturing Company**

408 St. Paul Street, Rochester, New York 14605 USA

Phone: 585.232.1440 • 800.232.5335 • Fax: 585.232.3857 • E-mail: info@teltru.com • Web: www.teltru.com

Catalog DT0903\_R1