

VORTEX WASTEWATER (SV), CUTTER (SC) AND STANCOR EFFLUENT (SE) SERIES PUMPS

Features

- Non-clogging...
No worries about impeller locking
- New vortex impeller design minimizes abrasive wear
- Impeller clearance need no adjustment
- Virtually maintenance free



**SE/SV/SC
with Guardrail Option**

[Click Here for Larger View](#)

Model	Type	Output	Impeller	Spherical Clearance
SE	Effluent Pumps	4/10-2HP	Semi-open	20-35mm

SC	Cutter Pumps	1/2-7 1/2HP	Semi-open/TC cutter	20mm
SV	Non-clog Pumps	1/2-7 1/2HP	Vortex	35-56mm

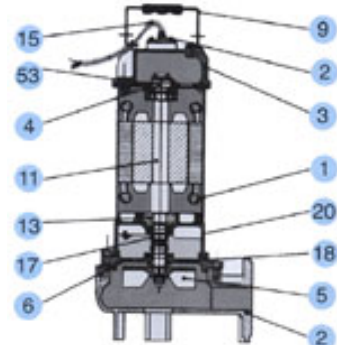


USER CATEGORIES		SE	SC	SV	USER CATEGORIES		SE	SC	SV
Breweries		x		x	Abrasive		x		x
Canneries			x		Activated Sludge			x	
Chemical Industry		x			Aggressive media		x		
Construction				x	Cement				x
Dredging		x			Chicken feathers		x		
Environmental Ind.		x			Circulation water		x		
Food processing		x		x	Coal washing water		x		x
Hotel Restaurant		x			Digester sludge		x		
Leather Ind.		x		x	Fly ash		x		x
Mines		x			Gassy sludge		x		
Paper mill				x	Grinding dust				x
Petro-chemical Ind.		x	x		Ground water		x		x
Power plant		x		x	Harbor sludge		x		x
Quarries		x		x	Oil residues		x		x
Refineries		x			Paper pulp		x		
Rolling mills		x			Primary sludge		x		
Rubber industry		x			Process water		x		
Sewage treatment				x	Sand, Lime sludge				x
Steel works		x	x		Sewage		x	x	
Sugar factories		x		x	Sludge circulation		x		x
Textile mills		x			Waste water		x	x	x

**SE/SV/SC
Standard Freestanding**

MATERIALS OF CONSTRUCTION

NO	PART	SE/SV	SC
1	Motor Casing	SUS304	SUS304
2	Pump Casing	FC200	FC200
3	Motor Cover	FC200/Nylon	FC200
4	Bearing Housing	FC200	FC200
5	Impeller	FC200	FC200/Tungsten
6	Seal Cover	FC200	FC200
9	Handle	SUS304	SUS304
11	Shaft	SUS410	SUS410
13	Bearing	NTN/C-3	NTN/C-3
15	Cable	VCT(H-07)	VCT(H-07)
17	Mechanical Seal	CA/CE	CA/CE
18	Oil Seal	Viton	Viton
20	Oil Chamber	FC200	FC200
53	Motor Protector	T.I./Yamada	T.I./Yamada



[Click Here for Larger View](#)

Note:

1. The material of motor cover is nylon 66 for SE models
2. All parts are interchangeable between SS and SE models
3. SE series is suitable for pumping liquid pH range from 6 to 9 and SS for pH 3 to 11
4. SS series primary parts are stainless steel

SPECIFICATIONS

PUMP Auto-float ¹ freestanding	TYPE Non- automatic	OUTPUT			DISCHARGE ³	RATED		CABLE LENGTH (FT.)
		HP	VOLTAGE ⁴	AMPS		MAX HEAD (FT.)	MAX CAPACITY	
SE40A	SE40	4/10	115	5	2"	22	64 GPM	16
SE50A	SE (SC/SV)-50	1/2	115/230/460	8/4/2	2"	37	74 GPM	16
SE100A	SE (SC/SV)-100	1	115/230/460	14/7/3.5	2"	50	110 GPM	33
SE200A	SE (SC/SV)-200	2	115/230/460	21/10/5.5	2" (3")	55	72 GPM	33
N/A	SC/SV-300	3	230/460	9/5.2	2" (4")	70	210 GPM	33
N/A	SC/SV-500	5	230/460	15/8.6	2" (4")	80	280 GPM	33
N/A	SC/SV-750	7.5	230/460	22.5/12.8	2" (4")	84	330 GPM	33

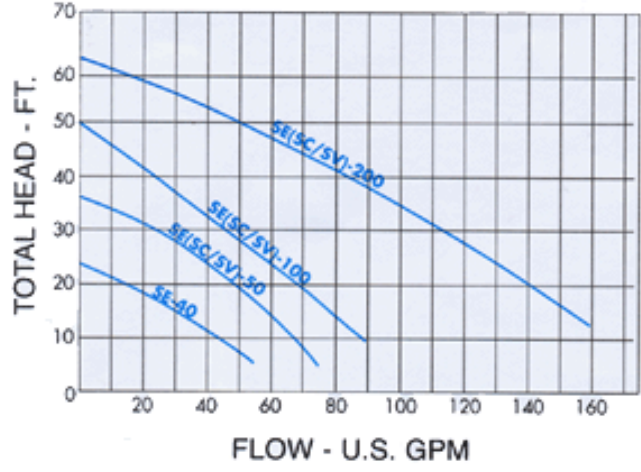
¹Equipped with float switch for automatic function (single phase pumps only)

²Guiderail system must be ordered separately

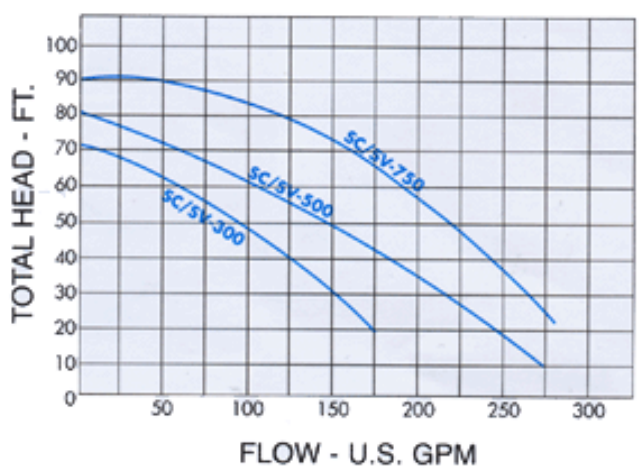
³Elbow with female threaded connection provided on free standing type

⁴208V available as special order

Series SE/SC/SV Performance Curve



Series SC/SV Performance Curve



[Click Here for Dimension Drawing](#)

DIMENSION TABLE

G/R TYPE	PUMP TYPE	OUTPUT HP	DIMENSION (mm)												
			A	A1	A2	D	D1	D2	H	H1	H2	H3	L	W	W1
N/A	Freestanding	0.5	223	70	115	132	63	69	395	338	125	156	-	-	-
N/A	Freestanding	1	223	70	115	132	63	69	425	368	125	156	-	-	-
N/A	Freestanding	2	390	103	235	210	105	105	530	400	150	155	-	-	-
N/A	Freestanding	3	390	103	235	210	105	105	550	420	150	155	-	-	-
N/A	Freestanding	5	525	125	295	250	117	133	635	520	200	275	-	-	-
N/A	Freestanding	7.5	525	125	295	250	117	133	675	560	200	275	-	-	-
G/R 200	Guiderail	1	475	80	300	165	77	78	490	390	190	267	150	180	100
G/R 200	Guiderail	2	550	103	350	210	105	105	600	470	216	360	150	180	100
G/R 200	Guiderail	3	550	103	350	210	105	105	620	490	216	360	150	180	100
G/R 750	Guiderail	5	690	125	460	250	117	133	730	585	265	360	230	250	250
G/R 750	Guiderail	7.5	690	125	460	250	117	133	770	625	265	360	230	250	250



Tungsten Edge
Cutter Impeller



High Efficiency
Effluent Impeller



Vortex Non-Clog
Impeller



Guiderail
Installation