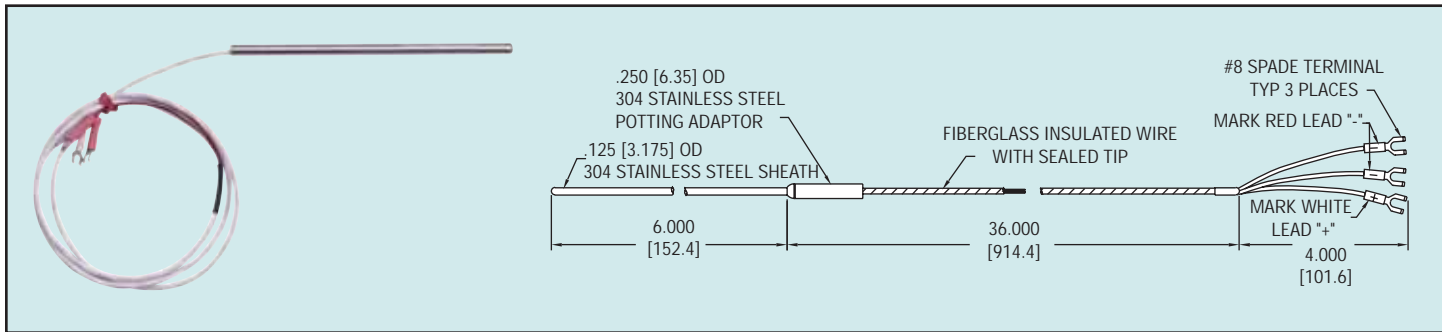




Series  
RTD

# Resistance Temperature Detector

High Temperature, Mineral Insulated, 316 SS Sheath



**Precision RTD** (Resistance Temperature Detector) offers excellent accuracy and stability over a wide temperature range. Industry standard 3-wire 100 ohm (DIN) probes are available in 6" (15 cm), 12" (30.5 cm), or 18" (46 cm) sheath lengths with 30" (76 cm) extension cable and spade lug terminals.

### SPECIFICATIONS

- Sensor Type:** Wire wound, 100 ohm.
- Temperature Range:** -328 to 1202°F (-200 to 650°C).
- Pressure Limits:** 250 psig.
- Probe Material:** 316 SS.
- Extension Length:** 30" (76 cm).
- Standard:** DIN .00385 (Class B, 0.12%).

### APPLICATIONS

Typical applications are: air ducts, bearing temperature, oil temperature indicator, soldering equipment, ovens, environmental test chambers, pharmaceutical mfg., food processing, plastic molding, petroleum & chemical processing, electric generating plants, etc.

Temperature

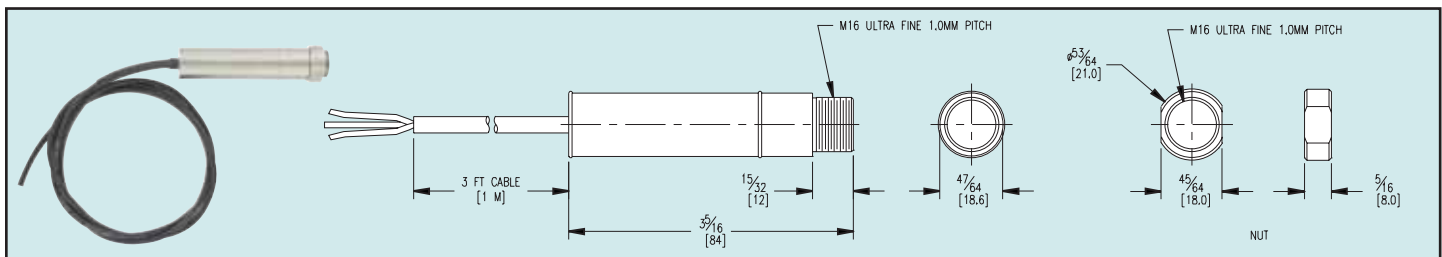
Model Number	Length	Diameter
RTD-686	6" (15 cm)	1/8"
RTD-6812	12" (30.5 cm)	1/8"
RTD-6818	18" (46 cm)	1/8"
RTD-646	6" (15 cm)	1/4"
RTD-6412	12" (30.5 cm)	1/4"
RTD-6418	18" (46 cm)	1/4"



Series  
ILA

# In-Line IR Sensor

10:1 Distance to Target Ratio, 32 to 932°F



The **Series ILA Non-Contact Sensors**, measure temperatures from 32 to 932°F (0 to 500°C) and provide a linear 4 to 20 mA, 0 to 5 VDC or thermocouple output. The 2-wire signal is compatible with almost any indicator, controller, recorder, data logger, etc., without the need for special interfacing or signal conditioning. They are suitable for most materials such as food, paper, textiles, plastics, leather, tobacco, pharmaceuticals, chemicals, rubber, coal, and asphalt.

### SPECIFICATIONS

- Temperature Range:** 32 to 932°F (0 to 500°C).
- Accuracy:** 1% of reading or 1°C whichever is greater.
- Emissivity:** 0.95 (Fixed).
- Distance to Target Size Ratio:** 10:1.
- Response Time:** 250 ms.
- Ambient Operating Temperature:** 32 to 122°F (to 50°C).
- Power Requirement:** 24 VDC.
- Repeatability:** 0.5% of reading or 0.5°C whichever is greater.
- Outputs:** 4 to 20 mA, 0 to 5 V, J type thermocouple.
- Cable Length:** 3.3 ft (1 m).
- Spectral Response:** 8 to 14 microns.
- Housing:** Stainless Steel.
- Weight:** 3.17 oz (90 g).
- Agency Approval:** CE.

Models	Output
ILA 10	J Thermocouple
ILA 20	4-20 mA
ILA 30	0-5 V