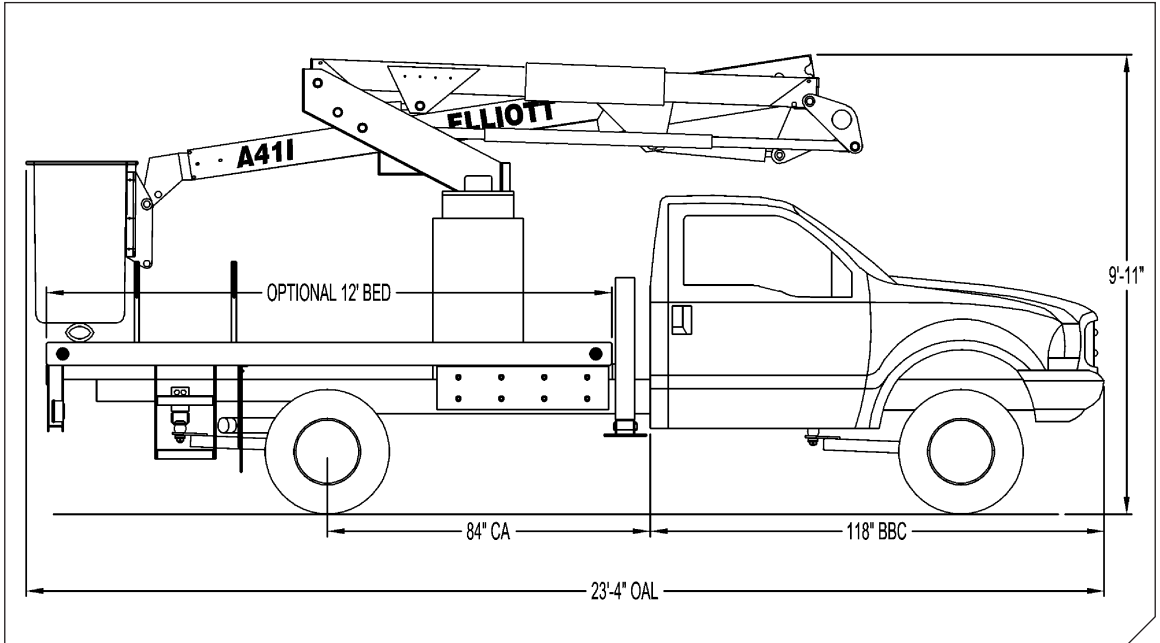


HiReach™ A411-A



General Unit Description

HiReach – The machine that launched an industry, the wide-ranging Elliott HiReach telescoping aerial workplatforms and cranes allow you to do more with just a single machine. From material handling and digging to basic crane and boom, the HiReach does the work of a fleet of trucks. Available with heights ranging from 35 feet to 158 feet, the HiReach comes fully equipped with standard features that are sold as options by our competition. Only Elliott features full hydraulic extension with no cables and chains. Our extension cylinder arrangement gives you the smoothest, most precise ride in the industry. What's more, all of Elliott's products can be customized to create tailor-made machines that include special platform features, pressure washers, body and tool box packages and more.

Basic unit includes base assembly supporting rotating turret, hydraulically powered rotation mechanism, oil reservoir, oil, manual hydraulic controls mounted on turret and full pressure hydraulic single stick remote control. 48" x 24" molded bucket with 2 access steps. Telescopic articulated boom design with fiberglass tip section and lower boom inserts, 46KV rated. ECA "A" type hydraulically powered, individually controlled main outriggers. Power take off and pump drive, pump. Holding valves on all cylinders, fire extinguisher, remote start /shutdown at upper and lower controls, 12 volt emergency pump with switch at upper and lower controls, back up alarm, PTO hour meter and (1) body harness. Paint Hi-Reach white. Unit certified to ANSI 92.2 for Vehicle-Mounted Elevating and Rotating Aerial Devices, Category C insulating, 46KV rating. Platform capacity 350 lbs.

Technical Specifications

Minimum Platform Height: 41' ground to platform floor.

Working Range: 46' max. height and 29' max. side reach with boom horizontal.

Work Platform: 48" x 24" molded fiberglass bucket with 2 access steps. Equipped with one safety harness lanyard attachment loop. One safety harness with 72" lanyard provided. Standard rating 350 lbs.

Platform Leveling System: Hydraulic "closed" system consisting of a platform cylinder interacting with a boom-actuated master cylinder mounted at the knuckle between the upper and lower booms. System provided with factory-set relief valves to compensate for oil expansion or overload during platform leveling operation. Remote releveling controls provided in platform and at ground controls to give precise releveling capability.

Platform Controls: Single stick control at bucket for metering of hydraulic control valve on side of bucket. The boom ground controls are mounted on the turret. Hydraulic oil is supplied to remote controls through non-conductive hoses in center of turret to an internal cable carrier inside of the boom.

Lower Controls: Mounted on curbside of turret.

Pedestal: Aerial turret box shall be subframe mounted to the chassis of the carrying vehicle by bolting.

Turret: Reverse offset turret is one-piece weldment. Turret rotates on shear ball bearing.

Rotation: Continuous turret rotation with no stops. Hydraulic motor drives turret through self-locking gear box.

Boom: Upper and lower boom sections made of steel rectangular tube with lower boom section having a fiberglass insert providing a 12" isolation gap. Platform section is continuous-strand intertwined fiberglass. Assembly includes heavy-duty cylinder fittings, pivot pins, and replaceable wear pads.

Boom Extension: One 2" internal cylinder extending the outer boom section.

Lift: Lower boom with double-acting 5" cylinder and upper boom with double-acting 3-1/3" cylinder, provides smooth and stable boom elevation. Holding valve prevents boom from falling in event of hose failure.

Cylinders: All cylinders use micro-honed cylinder tubing, chrome shafts, top grade packing and protective rod wipers. Cylinder-mounted holding valves provided on all load holding cylinders.

Hoses: Lower boom pressure hose is wire braid reinforced with a minimum safety factor of 4 to 1. Hoses at boom tip and in cable carrier are non-conductive orange.

Oil Tank Capacity: 15 Gallon mounted within pedestal.

Hydraulic System: Operating pressure approximately 2,500 PSI. System is parallel open-center type and is equipped with liquid-filled pressure gauge. Oil is supplied to upper cylinders through hoses in center of turret to an internal cable carrier inside of the boom.

Pump: Gear type, PTO or belt driven to truck. 9 GPM @ 2,500 PSI on high engine speed.

PTO: Heavy-duty, high-speed. Cable engaged from cab.

Cab Equipment: PTO cable with indicator lights installed in truck cab. Engine speed control and start/kill installed with control switches in platform remote control box and lower control box. U/L approved 5:BC dry chemical fire extinguisher installed in truck cab.

Operators Manual & Video: Two copies of operation, maintenance, safety and parts manual provided with each unit. Operational and safety video provided at delivery.

Installation: Unit installed on customer's truck, painted, system and tank filled with oil, tested, inspected, certified and ready to operate.

Standard Paint: Paint Hi-Reach white, and outriggers, bed and boxes black. Top of bed painted with black nonskid surface.

Bumper: Bureau of Motor Carrier Safety rear bumper.

Weight: Approximately 7,000 lbs. with 12' steel floor bed less truck.

Truck Chassis: Approximately 84" C.A., 6,000 lb. front axle and 13,500 lb. rear axle, and 17,500 lb. GVWR required. Recommended GVWR is minimum for HI-REACH with flatbed only. Contact factory when additional equipment is to be added.

Options

Bed: Length 12' (other lengths available) with 1/8" steel tread plate floor or wood floor, 6" rub rail and heavy cross members. Stake pockets on both sides. Two-step grip strut rear ladder with two grab handles located on both sides. Chassis stop/turn/back-up lights remounted as necessary. Rear clearance and side marker lights and reflectors installed on bed.

Wood-Floor Bed

Line Bodies

Tool Storage

Full Cab Guard

Miscellaneous Options...Contact factory for details



4427 South 76th Circle

Omaha, NE 68127

Phone: 402-592-4500

Fax: 402-592-4553

Email: info@elliottequip.com

www.elliottequip.com