

## Elliott Exclusive Features

Elliott leads the industry with the range of standard and optional equipment offered on its BoomTrucks. Features that improve efficiency, safety, control and performance – to save you time and money.



### RIDE-AROUND CONTROL™

The stand up ride around control station enables the operator to swing with the load insuring a clean line of sight of the boom at all times. Elliott has engineered a safer solution to improve operator efficiency. The ergonomically shaped back rest provides support and eases fatigue.



### VARIABLE DISPLACEMENT PISTON PUMP™

A pressure compensated hydraulic pump delivers flow only on demand, reducing excessive heating of the hydraulic oil while increasing fuel economy. This pump enables multi-function capabilities available only in larger cranes.



### DYNASMOOTH CONTROL VALVE™

This internal pilot operated valve produces unequalled smoothness and control of each function. It allows for precise control with the optional electronic controllers available with the seated control station, and enables clean installation of optional radio remote controllers.



### THUMB THROTTLE™

This type of throttle provides for more efficient crane operation and decreased fuel consumption with the variable displacement hydraulic pump. By not having a foot throttle, the operator experiences less fatigue in the stand-up position.



### FRICTION FREE JIB EXTENSION™

A unique roller design allows for one man to extend and retract the pull-out section. All Elliott jibs can accommodate an optional two man gravity leveled basket on the end of the extended section.

## Built To Fit

Connect with an Elliott engineer to design a machine to your exact specifications. Our complimentary Built to Fit program makes it possible – improving productivity on the jobsite, eliminating the expense of renting or purchasing additional equipment and allowing you to recover the cost of your investment more quickly.



**BoomTruck™**  
TRUCK-MOUNTED CRANE

**ELLIOTT**  
EQUIPMENT COMPANY

**DoMore.**

4427 South 76th Circle  
Omaha, NE 68127-1806  
Tele: 402-592-4500  
Fax: 402-592-4553  
E-mail: [info@elliottequip.com](mailto:info@elliottequip.com)

[www.elliottequip.com](http://www.elliottequip.com)

**BoomTruck™**

TRUCK-MOUNTED CRANE

MODEL 3000 SPECIFICATIONS



**ELLIOTT**  
EQUIPMENT COMPANY

**DoMore**

## Model 3000.

The 30-ton boom truck is available as a front or rear mount with Elliott's exclusive stand up ride around control station; as a rear mount with an optional open seated control, or a fully enclosed, heated and air conditioned cab. The available 95' and 105' boom lengths coupled with jib lengths to 45', enables tip heights of up to 162'. The winch provides line speeds up to 278 fpm and line pulls of 9,060 lbs. with our standard rotation resistant cable. Set up on the front and rear out and down outriggers with 20' center to center spread, lifts are achievable out to 100' of radius.

STANDARD FEATURES	
- LMI Load Moment Indicator	- Full-span and mid-span capacity chart
- Internal boom hardware anti-two block	- Ground operated outrigger controls
- Continuous rotation (rear mount)	- Variable speed thumb throttle
- Proportional boom extension	- 22" steel bed wings (front mount)
- Two-speed winch	- 18" steel bed wings (rear mount)
- Rotation-resistant wire rope	- Horizontal boom rest
- Rear bumper underride protection	- Backup alarm
- 12V power outlet at control console	- 1-year parts and labor and 5-year structural warranty
- Cupholder at control console	- One hard copy and one CD operator manual

OPTIONS	
- Open seated controls	- Steel gravity-leveled two-man basket
- Seated controls with operator cab	- Automatic rotation lockout
- Wood bed wings	- Radio remote controls
- Air conditioning (crane cab)	- Winch drum tensioner
- 1-piece and 2-piece jibs	- Remote outrigger/winch creep controls
- Line blocks	- Boom-mounted hose reel
- Front stabilizer (standard on rear mount)	- Toolboxes
- Vertical line block holder	- Hydraulic tool circuit
- Continuous rotation (standard on rear mount)	- Hydraulic oil cooler

## Specifications

	3095F	30105F	3095R	30105R	3095R (cab)	30105R (cab)
<b>PERFORMANCE</b>						
Lifting Capacity	60,000 lbs.	60,000 lbs.	60,000 lbs.	60,000 lbs.	60,000 lbs.	60,000 lbs.
Crane Weight	27,750 lbs.	28,160 lbs.	27,090 lbs.	27,500 lbs.	27,690 lbs.	28,100 lbs.
Jib Lengths	26', 41'	26', 45'	26', 41'	26', 45'	26', 41'	26', 45'
Maximum Vertical Reach	148'	162'	148'	162'	148'	162'
Operator Controls (standard)	Single-Side Standup	Single-Side Standup	Single-Side Standup	Single-Side Standup	Cab	Cab
Operator Controls (optional)	N/A	N/A	Open-Seat, Cab	Open-Seat, Cab	Options Available	Options Available

WINCH						
Speed	2	2	2	2	2	2
Winch Type	Planetary	Planetary	Planetary	Planetary	Planetary	Planetary
Bare Drum Pull	12,800 lbs.	12,800 lbs.	12,800 lbs.	12,800 lbs.	12,800 lbs.	12,800 lbs.
Single Line Pull	9,060 lbs.	9,060 lbs.	9,060 lbs.	9,060 lbs.	9,060 lbs.	9,060 lbs.
Line Speed (4th layer)	139/236 fpm	139/236 fpm	139/236 fpm	139/236 fpm	139/236 fpm	139/236 fpm
Line Speed (Optional)	139/278 fpm	139/278 fpm	139/278 fpm	139/278 fpm	139/278 fpm	139/278 fpm
Wire Rope Length	425'	425'	425'	425'	425'	425'
Wire Rope Size	9/16"	9/16"	9/16"	9/16"	9/16"	9/16"
Breaking Strength	45,400 lbs.	45,400 lbs.	45,400 lbs.	45,400 lbs.	45,400 lbs.	45,400 lbs.

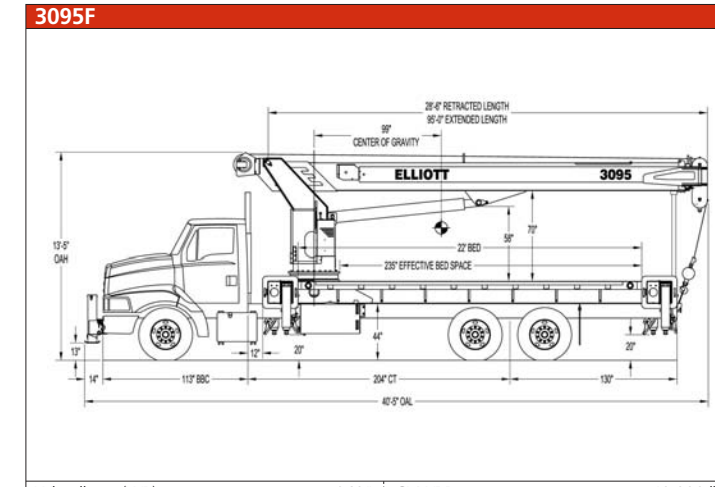
OPERATING SPEED						
Swing Rotation	42 sec.	42 sec.	42 sec.	42 sec.	42 sec.	42 sec.
Boom Up/Down	36/36	36/36	36/36	36/36	36/36	36/36
Boom Extend/Retract	100/100	110/110	100/100	110/110	100/100	110/110

HYDRAULICS						
Pump Sections	1	1	1	1	1	1
Pump Type	Piston	Piston	Piston	Piston	Piston	Piston
Gallons per Minute (standard)	50	50	50	50	50	50
Gallons per Minute (optional)	65	65	65	65	65	65
Reservoir	120 gallons	120 gallons	143 gallons	143 gallons	143 gallons	143 gallons

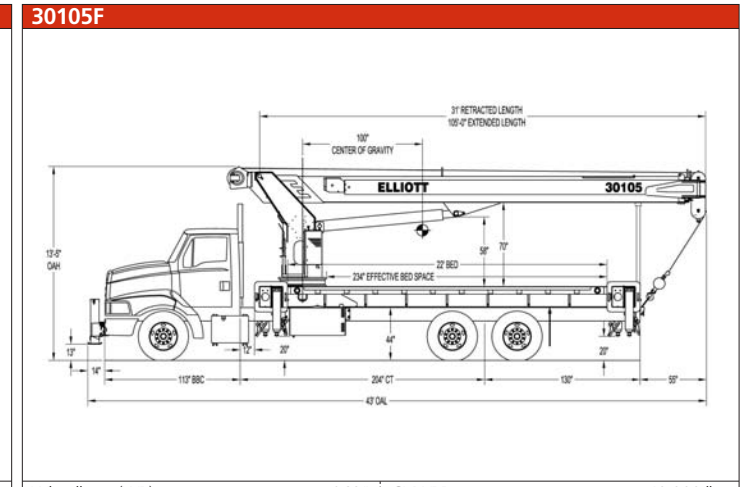
OUTRIGGERS						
Front Type	OUT-DOWN	OUT-DOWN	OUT-DOWN	OUT-DOWN	OUT-DOWN	OUT-DOWN
Front Spread	20'	20'	20'	20'	20'	20'
Rear Type	OUT-DOWN	OUT-DOWN	OUT-DOWN	OUT-DOWN	OUT-DOWN	OUT-DOWN
Rear Spread	20'	20'	20'	20'	20'	20'
Front Bumper Stabilizer	Optional	Optional	Required	Required	Required	Required

Crane weights include crane turret, boom, subbase, front and rear outriggers, boom rest, and reservoir (w/oil)  
All designs conform to ANSI B30.5. Welding conforms to AWS D1.1. All testing will conform to SAE 1063 and SAE 765 specifications.

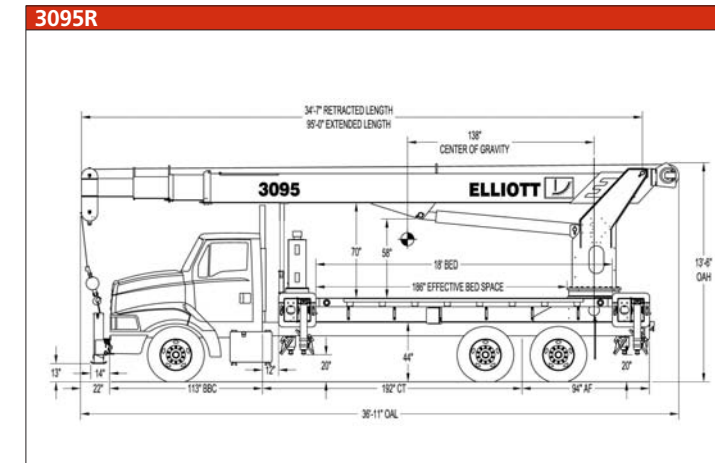
## Chassis Specifications



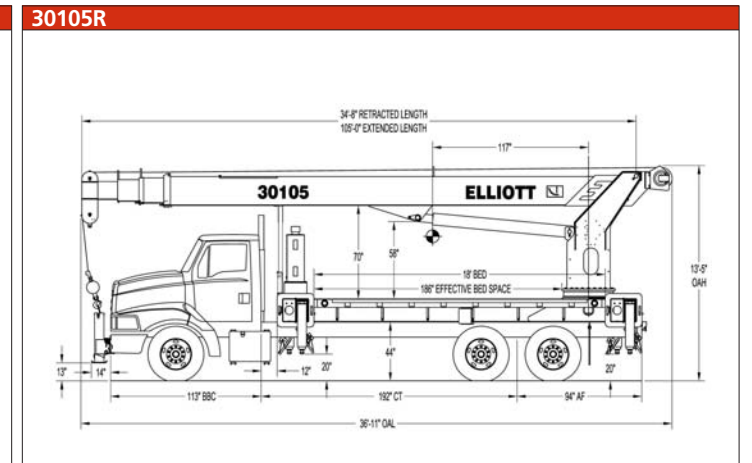
Wheelbase (WB)	268"	GVWRR	40,000 lbs.
Cab-To-Axle (CT)	204"	Int. Front Frame Ext.	Req. w/ front stabilizer
Afterframe (AF)	130"	Frame Section Modulus	30.0 @ 110,000
GVWR	60,000 lbs.	Approximate Payload	4,735 lbs.
GVWRF	20,000 lbs.		



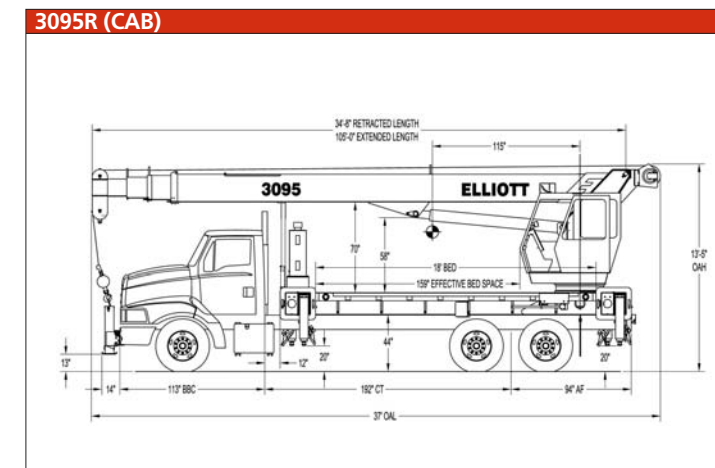
Wheelbase (WB)	268"	GVWRR	40,000 lbs.
Cab-To-Axle (CT)	204"	Int. Front Frame Ext.	Req. w/ front stabilizer
Afterframe (AF)	130"	Frame Section Modulus	30.0 @ 110,000
GVWR	60,000 lbs.	Approximate Payload	4,325 lbs.
GVWRF	20,000 lbs.		



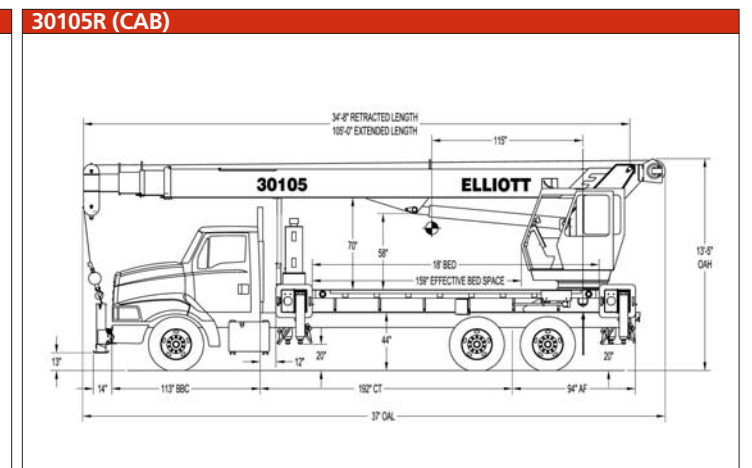
Wheelbase (WB)	256"	GVWRR	40,000 lbs.
Cab-To-Axle (CT)	192"	Int. Front Frame Ext.	Required
Afterframe (AF)	94"	Frame Section Modulus	30.0 @ 110,000
GVWR	60,000 lbs.	Approximate Payload	5,185 lbs.
GVWRF	20,000 lbs.		



Wheelbase (WB)	256"	GVWRR	40,000 lbs.
Cab-To-Axle (CT)	192"	Int. Front Frame Ext.	Required
Afterframe (AF)	94"	Frame Section Modulus	30.0 @ 110,000
GVWR	60,000 lbs.	Approximate Payload	4,775 lbs.
GVWRF	20,000 lbs.		



Wheelbase (WB)	256"	GVWRR	40,000 lbs.
Cab-To-Axle (CT)	192"	Int. Front Frame Ext.	Required
Afterframe (AF)	94"	Frame Section Modulus	30.0 @ 110,000
GVWR	60,000 lbs.	Approximate Payload	4,685 lbs.
GVWRF	20,000 lbs.		



Wheelbase (WB)	256"	GVWRR	40,000 lbs.
Cab-To-Axle (CT)	192"	Int. Front Frame Ext.	Required
Afterframe (AF)	94"	Frame Section Modulus	30.0 @ 110,000
GVWR	60,000 lbs.	Approximate Payload	4,275 lbs.
GVWRF	20,000 lbs.		

Elliott BoomTruck specifications subject to change.